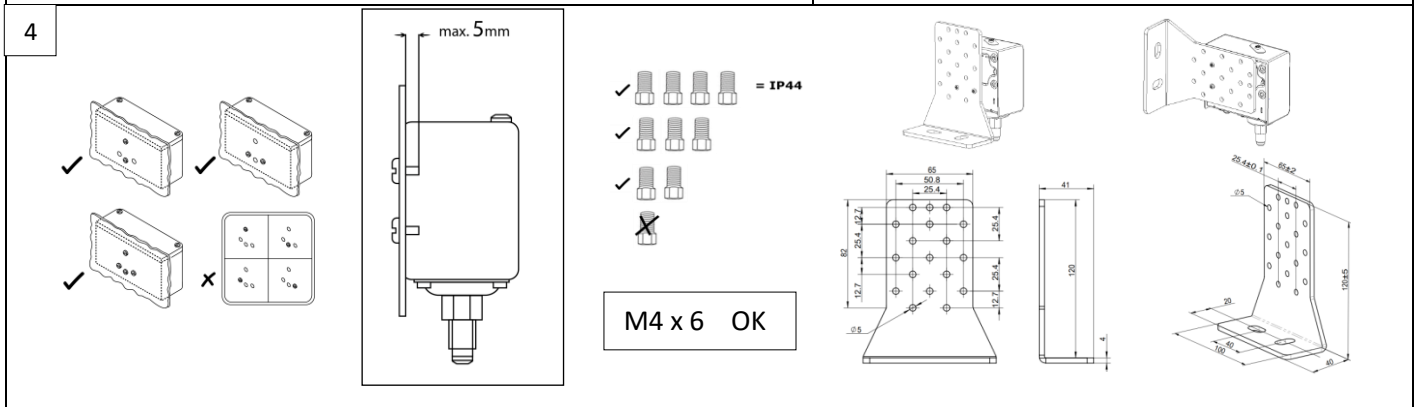
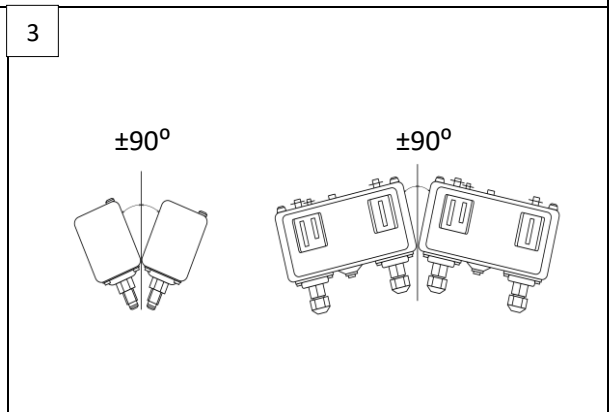
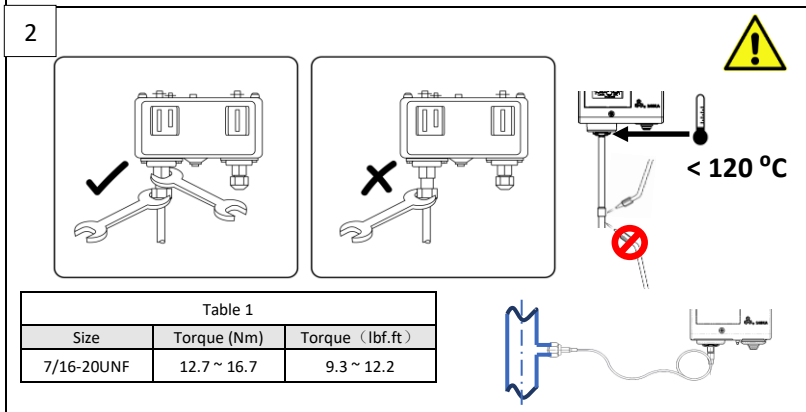
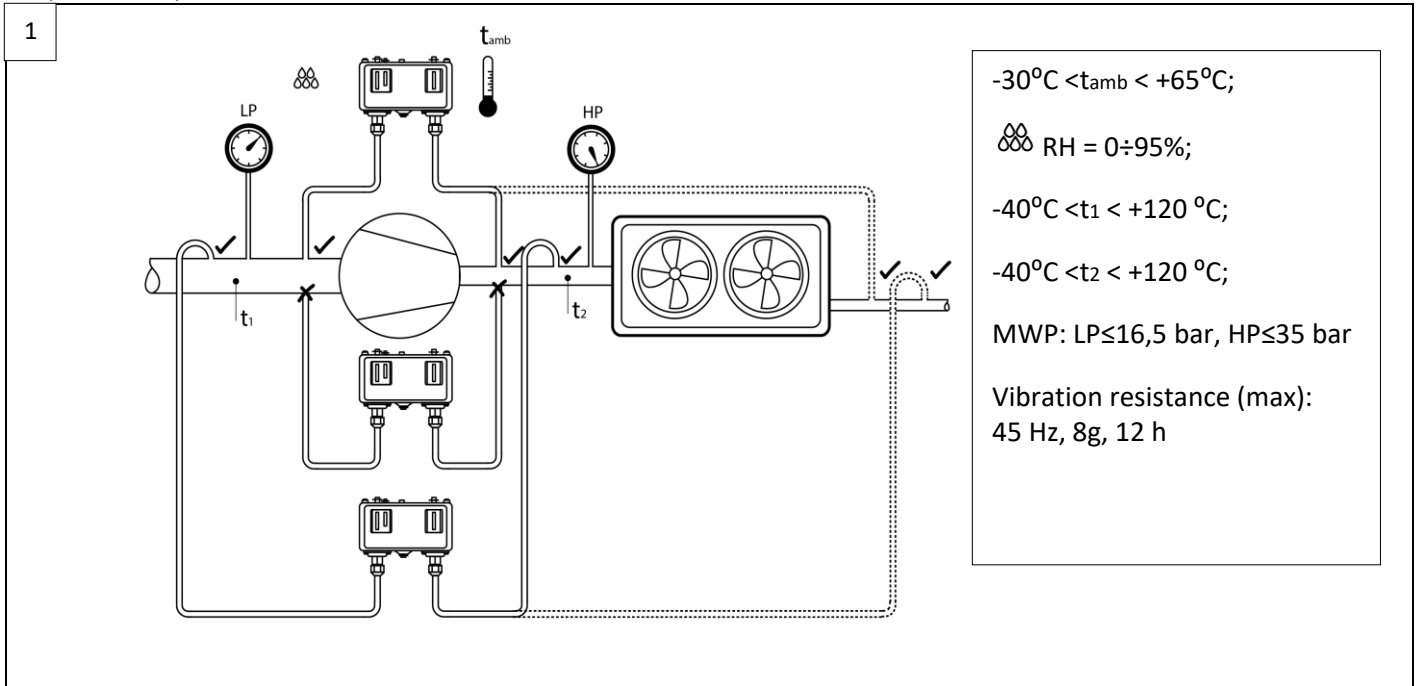


## PRESSURE SWITCH series PS01/ PS50/ PS15

Applicable to fluids and refrigerants of GROUP 2 according to Directive 2014/68/EU or GROUP A1 according to ANSI-ASHRAE 34-2016: R134a, R404A/R507, R407C, R22, R407A/F, R448A/449A, R452A, R513A, R450A. For the unspecified refrigerants can't presume to use it so as not to affect the function of the system.

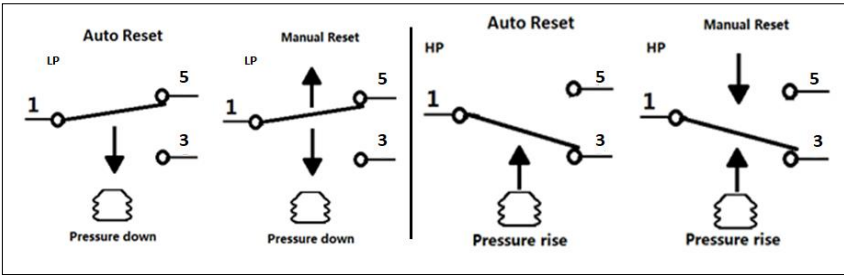
**!** This product is dedicated for usage in hermetic refrigeration/air conditioning or heat pump systems under high pressure so proper installation required therefor it must be mounted only by trained and experienced personal.



5

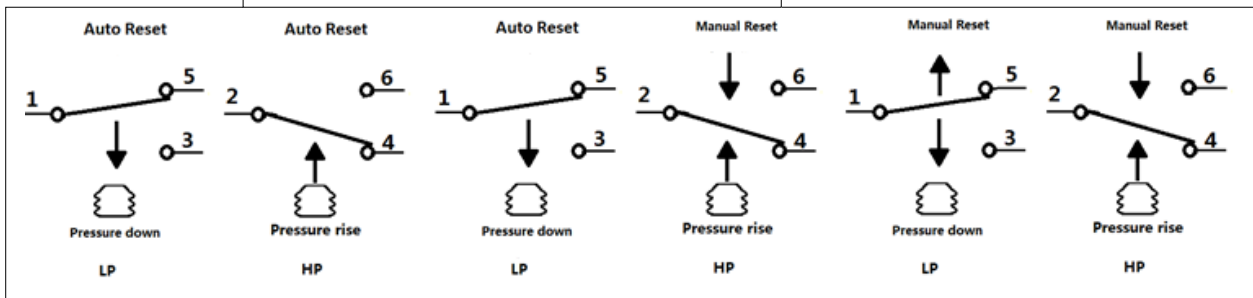
PS01 (LP): 1-5 NC

PS50 (HP): 1-3 NC



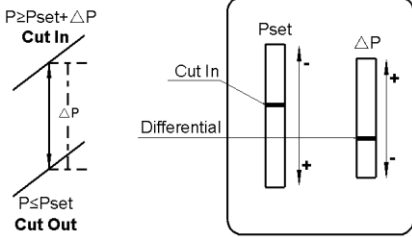
Rated voltage, V	AC1	AC3	AC15	DC
	400	400	400	24
Rated current, A	16	16	10	16

PS15 (LP/HP): 1-5 NC (LP); 2-4 NC (HP)



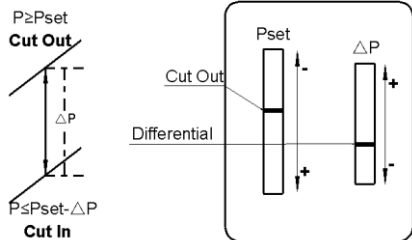
6

LP, variable  $\Delta P$

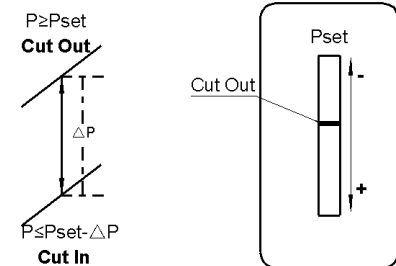


LP: Cut in-Cut out= $\Delta P$  (Differential)

HP, variable  $\Delta P$

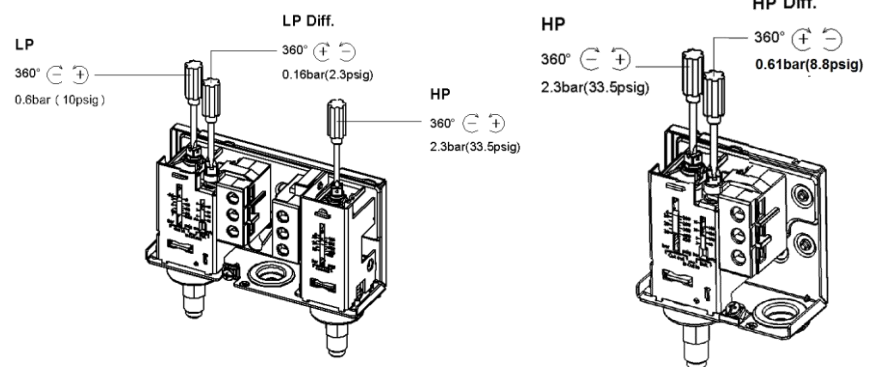


HP, fixed  $\Delta P$

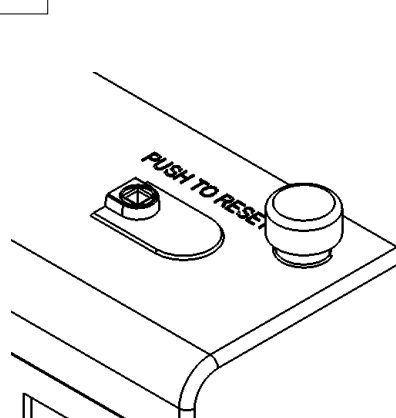


HP: Cut out-Cut in= $\Delta P$  (Differential)

7



8 Manual reset (push to reset)



9 Auto reset

