

FILTER-DRIER SERIES DTG/STG INSTRUCTIONS



Sanhua offers a full line of liquid line filter-driers with molded core, providing proven performance under demanding conditions where moisture, contaminants, dirt or acid removal is required. Sanhua filter-driers are applicable for all common refrigerants, including R-134a, R-404A, R-410A, R-507 and R-290.



DTG SERIES

STG SERIES



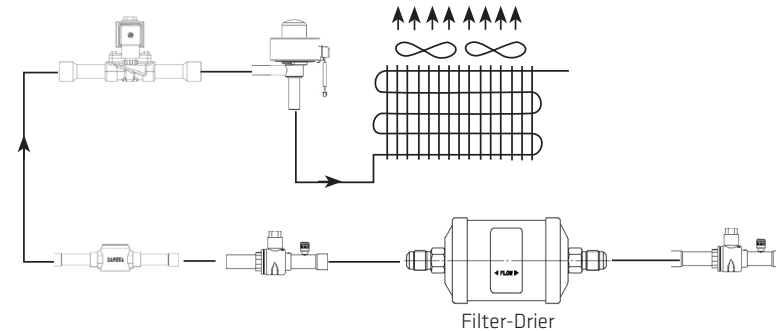
GENERAL SPECIFICATIONS

Applicable to fluids and refrigerants of GROUP 2 according to Directive 97/23/CE (29 May 1997) or GROUP A1 according to ANSI-ASHRAE 34-2010.

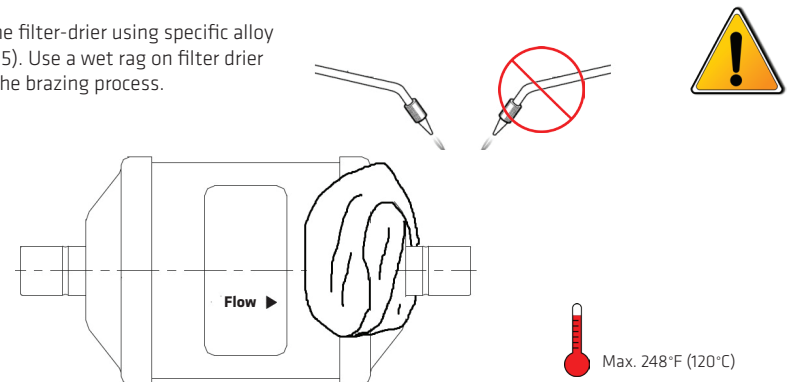
Temperature Range (TS): -22°F to +248°F (-30°C to +120°C)
Design Pressure (PS): 700 psi (48.3 bar)

INSTALLATION INSTRUCTIONS: FILTER DRIER SERIES DTG/STG

- 1 Filter-driers must be installed in the liquid line before the Sight Glass and the Expansion Valve.



- 2 Braze the filter-drier using specific alloy (SilFos 15). Use a wet rag on filter drier during the brazing process.



Max. 248°F (120°C)

3 Tighten the thread connection respecting the maximum torque values in Table 1.

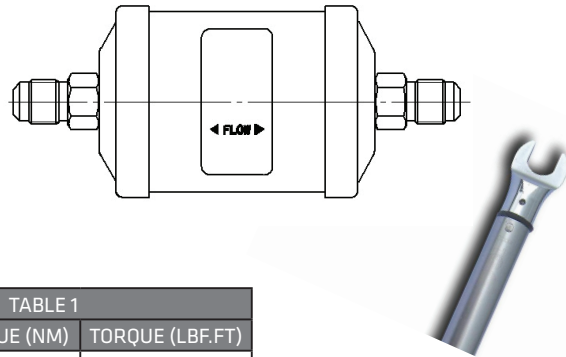
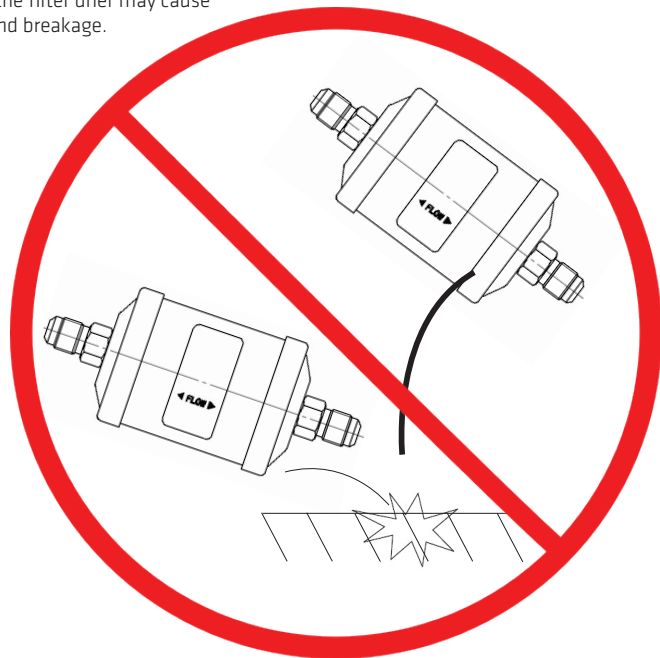


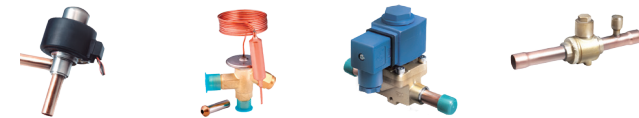
TABLE 1		
SIZE (IN)	TORQUE (NM)	TORQUE (LBF.FT)
1/4	12~17	9~13
3/8	30~35	22~26
1/2	40~45	30~33
5/8	50~55	37~41
3/4	60~65	44~48
7/8	110~120	81~89

4 Dropping the filter drier may cause damage and breakage.



ADDITIONAL LANGUAGES

Step	Español	Français
1	El filtro secador debe instalarse en la línea de líquido antes de la válvula de expansión termostática y del visor de líquido.	Les filtres déshydrateurs doivent être installés sur la ligne liquid avant le voyeurs liquid et la vanne d'expansion.
2	Soldar el filtro secador usando una aleación (SilFos 15). Poner un paño húmedo sobre el filtro durante el proceso de soldadura.	Braser les tubes de connection en utilisant un alliage spécifique (type SilFos 15). Placer un chiffon mouillé sur le corps du filtre déshydrateur pendant le brasage.
3	Apretar la conexión roscada respetando los valores máximos de Par de Ajustes en la tabla 1.	Serrer en respectant les valeurs maximum de couple de serrage selon la table 1.



TECHNICAL SUPPORT

For additional technical information and to learn more about Sanhua's full product line, please visit sanhuausa.com.

Technical information
sanhuausa.com



SANHUA INTERNATIONAL
info@sanhuausa.com