

## PRESSURE CONTROLS series PS01/ PS50/ PS15

Applicable to fluids and refrigerants of GROUP 2 according to Directive 2014/68/EU or GROUP A1 according to ANSI-ASHRAE 34-2016: R134a, R404A/R507, R407C, R22, R407A/F, R448A/449A, R452A, R513A, R450A. For the unspecified refrigerants can't presume to use it so as not to affect the function of the system.

**1**

$-30^{\circ}\text{C} < t_{\text{amb}} < +65^{\circ}\text{C}$ ;

$\text{RH} = 0 \div 95\%$ ;

$-40^{\circ}\text{C} < t_1 < +120^{\circ}\text{C}$ ;

$-40^{\circ}\text{C} < t_2 < +120^{\circ}\text{C}$ ;

MWP: LP $\leq$ 16,5 bar, HP $\leq$ 35 bar

Vibration resistance (max):  
45 Hz, 8g, 12 h

**2**

Size	Torque (Nm)	Torque (lbf.ft)
7/16-20UNF	12.7 ~ 16.7	9.3 ~ 12.2

**3**

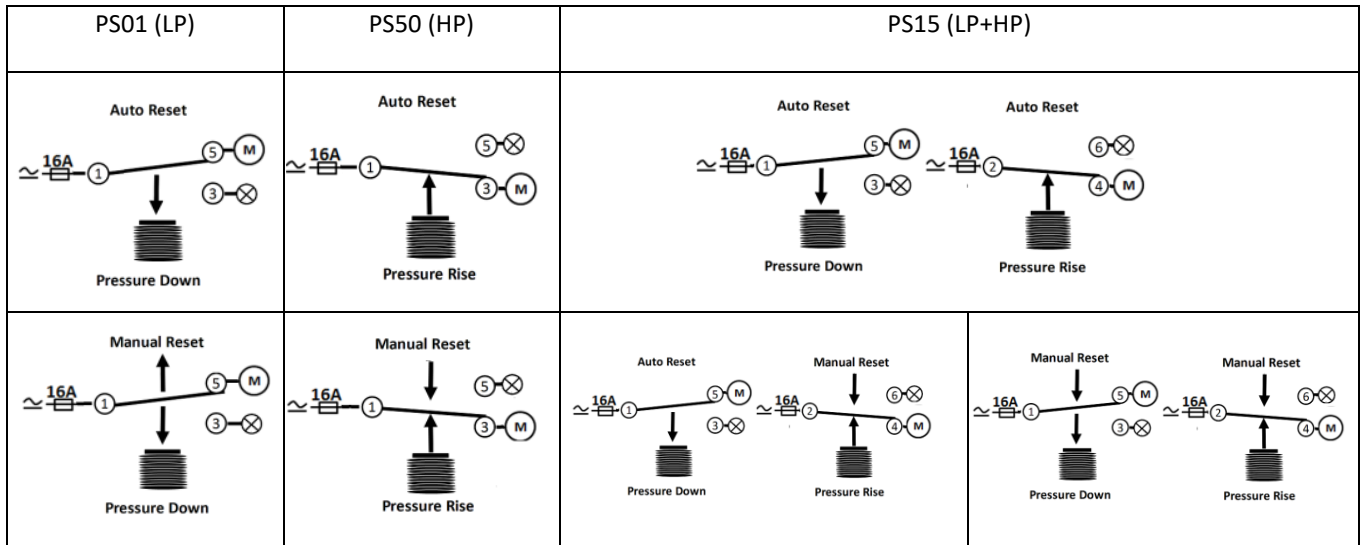
**4**

max. 5mm

IP44

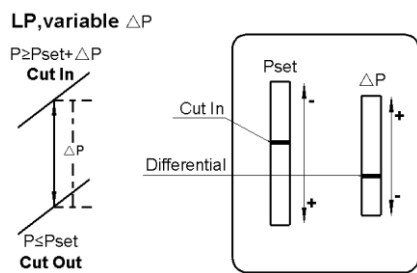
M4 x 6 OK

5

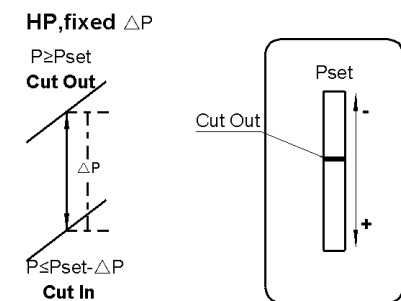
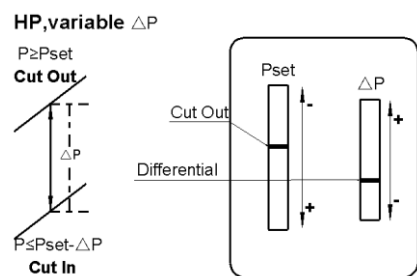


Short circuit protection: Fuse 16 Amps

6

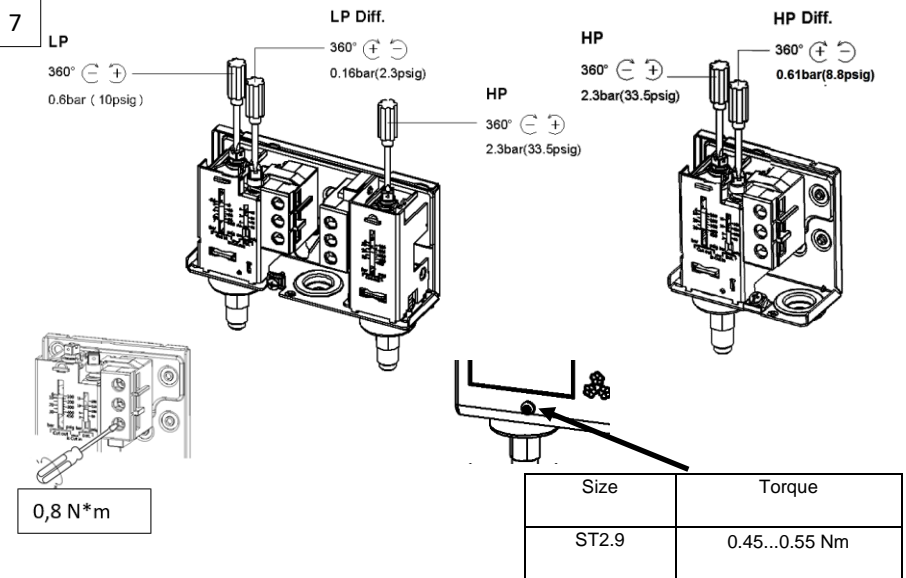


LP: Cut in-Cut out= $\Delta P$  (Differential)



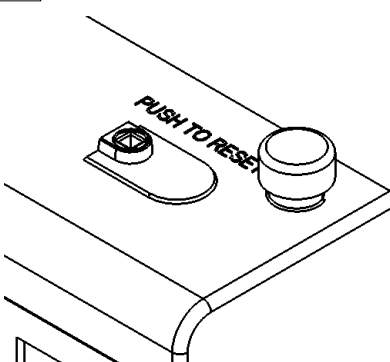
HP: Cut out-Cut in= $\Delta P$  (Differential)

7



8

Manual reset (push to reset)



9

Auto reset

