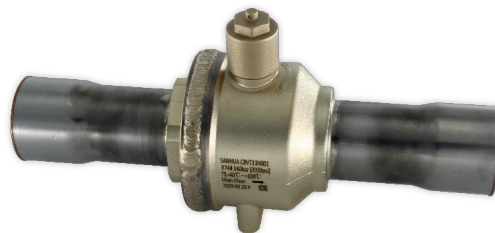




CBVT SERIES

BALL VALVE

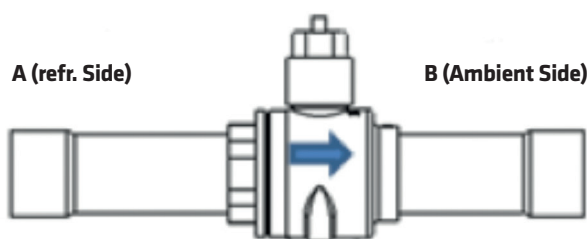


The ball valve of series CBVT is applicable for commercial CO₂ refrigeration applications in order to open and to shut off inner flow path by operating the valve stem. The ball valve of CBVT is applicable for transcritical CO₂ refrigeration systems and is a perfect choice for all similar CO₂ systems.

FEATURES

- STRAIGHTWAY TYPE, FULL PORT, LOW PRESSURE DROP – HIGH EFFICIENCY
- VALVE BODY WITH WELDED STRUCTURE – PRODUCT STRENGTH AND RELIABILITY
- ROTATE 1/4 CIRCLES FROM FULL-OPEN TO FULL-CLOSE – EASY AND FAST TO OPERATE
- BIDIRECTIONAL FLOW¹⁾
- VERSION WITH BI-METAL CONNECTIONS – EASY AND FAST BRAZING FOR SYSTEMS WITH K65 PIPING
- VERSION WITH STAINLESS-STEEL BUTT-WELDING CONNECTIONS – SUITABLE FOR SYSTEMS WITH STAINLESS STEEL PIPING

Note: 1) CBVT valves fulfill internal tightness requirements of the standard EN12284, paragraph 9.6.3 only in the direction indicated by the arrow [refrigerant on connection "A"; airside on connection "B"]. Installations with shut off function to the atmosphere (just temporarily for service purpose): Please install the solder connection "B" at the airside. Remark: Welding body junction is always at solder connection "A"



GENERAL SPECIFICATIONS

- Applicable for R744 (CO₂)
- Medium temperature TS min./max.: -56°C / +150°C
- Max. operating pressure PS: 14 MPa (burst pressure: 42MPa)
- Installation position: liquid, suction and discharge line in all directions
- Certifications: PED declaration
- UL attestation


GENERAL CHARACTERISTICS
1) Models with Bi-Metal Connections

Model	Part Number	Connection Ø d ODF		Kv [m ³ /h]	Wrench Size Cap [mm]	PED Category
		[inch]	[mm]			
CBVT 02H002	10150108802	-	6	1,9	H19	4.3
CBVT 02H001	10150103102	1/4	-	1,9	H19	4.3
CBVT 03H001	10150099502	3/8	-	5,5	H19	4.3
CBVT 03H002	10150109102	-	10	5,5	H19	4.3
CBVT 04H002	10150108902	-	12	7,3	H19	4.3
CBVT 04H001	10150099202	1/2	-	7,3	H19	4.3
CBVT 05H002	10150109002	-	15	13,8	H14	4.3
CBVT 05H001	10150099302	5/8	16	13,8	H14	4.3
CBVT 06H002	10150109302	-	18	20,6	H17	4.3
CBVT 06H001	10150099102	3/4	-	20,6	H17	4.3
CBVT 07H001	10150099002	7/8	22	29,0	H17	4.3
CBVT 09H002	10150109202	-	28	54,2	H17	4.3
CBVT 09H001	10150098902	1-1/8	-	54,2	H17	4.3
CBVT 11H001	10150098502	1-3/8	35	85,5	H17	I
CBVT 13H001	10150098602	1-5/8	-	133,7	H17	I
CBVT 13H002	10150109402	-	42	133,7	H17	I
CBVT 17H001	10150098402	2-1/8	54	225,0	H19	I

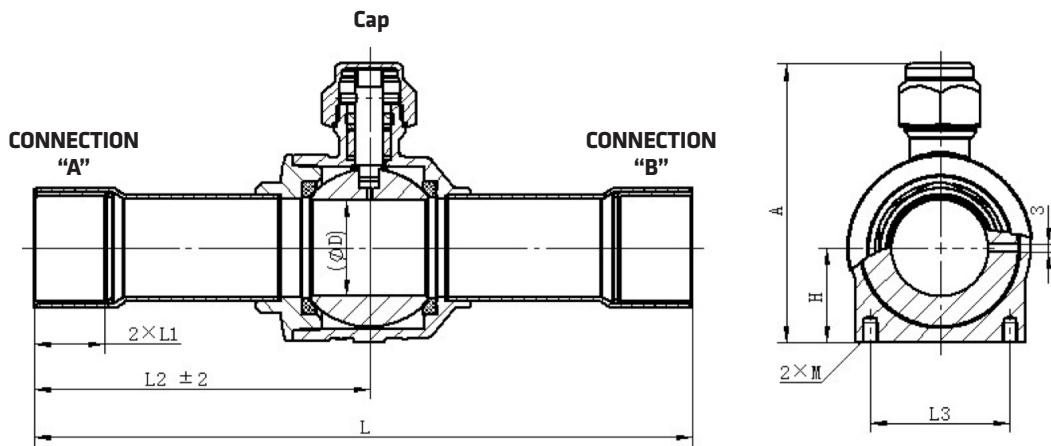
2) Models with Stainless-Steel Butt-Welding Connections

Model	Part Number	Connection Ø d ODF		Kv [m ³ /h]	Wrench Size Cap [mm]	PED Category
		[inch]	[mm]			
CBVT 03H302	10150111402	-	10	5,5	H19	4.3
CBVT 04H302	10150111602	-	12	7,3	H19	4.3
CBVT 05H301	10150111702	5/8	16	13,8	H14	4.3
CBVT 06H302	10150111902	-	18	20,6	H17	4.3
CBVT 07H301	10150110302	7/8	22	29,0	H17	4.3
CBVT 09H302	10150112102	-	28	54,2	H17	4.3
CBVT 11H301	10150112202	1-3/8	35	85,5	H17	I
CBVT 13H302	10150112402	-	42	133,7	H17	I



DIMENSIONS

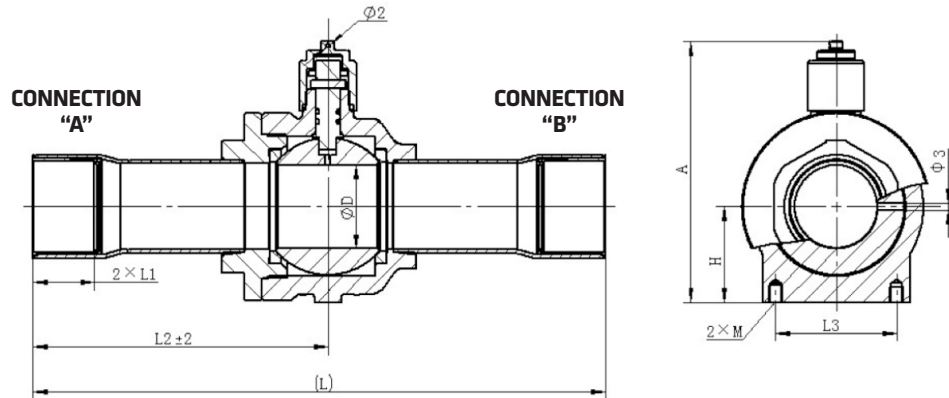
1) Models with Bi-Metal Connections



Model	L	L1	L2	L3	D	H	A	M	Weight
	[mm]	[mm]	[mm]	[mm]	[mm]	[mm]	[mm]	[mm]	[g]
CBVT 02H002	126	8	66.5	16	10	14	50,4	M4×0.7	190
CBVT 02H001	126	8	66,5	16	10	14	50,4	M4×0.7	176
CBVT 03H001	132	10	69,5	16	10	14	50,4	M4×0.7	180
CBVT 03H002	132	10	69.5	16	10	14	50,4	M4×0.7	183
CBVT 04H002	139	12	73	16	10	14	50,4	M4×0.7	190
CBVT 04H001	139	12	73	16	10	14	50,4	M4×0.7	188
CBVT 05H002	148	16	77	22	14	16	58,5	M4×0.7	279
CBVT 05H001	148	16	77	22	14	16	58,5	M4×0.7	289
CBVT 06H002	148	16	76	30	19	20	73	M4×0.7	470
CBVT 06H001	152	16	78	30	19	20	72	M4×0.7	491
CBVT 07H001	189	19	97	30	19	20	73	M4×0.7	526
CBVT 09H002	185,5	20	95	38	25	27	85.3	M4×0.7	748
CBVT 09H001	185,5	20	95	38	25	27	85,3	M4×0.7	749
CBVT 11H001	204	25	105	48	32	37	105	M6×1.0	1814
CBVT 13H001	260	28	134	55	38	43,5	118,5	M6×1.0	2734
CBVT 13H002	260	28	134	55	38	43,5	118,5	M6×1.0	2736
CBVT 17H001	284	33	145	74	50	58,5	145	M6×1.0	5787



2) Models with Stainless-Steel Butt-Welding Connections



Model	L	L1	L2	L3	D	H	A	M	Weight
	[mm]	[mm]	[mm]	[mm]	[mm]	[mm]	[mm]	[mm]	[g]
CBVT 03H302	132	8	69,5	16	10	14	47,7	M4×0.7	184
CBVT 04H302	139	8	73	16	10	14	47,7	M4×0.7	188
CBVT 05H301	148	/	77	22	14	16	58,7	M4×0.7	269
CBVT 06H302	148	8	76	30	19	20	73	M4×0.7	481
CBVT 07H301	185	/	94,5	30	19	20	73	M4×0.7	512
CBVT 09H302	205	/	105	38	25	27	85.3	M4×0.7	760
CBVT 11H301	205	/	106	48	32	37	105	M6×1.0	1836
CBVT 13H302	242	/	125	55	38	43,5	118,5	M6×1.0	2853

For complete product family information please visit us at www.sanhuaeurope.com and download the full range of datasheet at TECHNICAL INFORMATION LINK.