



## LDF SERIES

# SOLENOID VALVE

(GreenTech range: applicable for fluids GROUP 1 and GROUP 2 according to Directive 2014/68/EU or GROUP A3/A2L and GROUP A1 according to ANSI-ASHRAE 34-2016)

LDF series solenoid valves are direct operated or pilot operated solenoid valves, mainly used in refrigerant control of various devices such as refrigerating and freezing systems, air conditioners and heat pumps.



## FEATURES

- COILS: LOW ENERGY CONSUMPTION, RELIABLE
- LOW INTERNAL LEAKAGE
- COMPACT DESIGN, EASY TO INSTALL.

## GENERAL SPECIFICATIONS

- Applicable for all common HFC/HFO/HC refrigerants such as: R134a, R404A, R407A/F, R407C, R410A, R448A, R449A, R450A, R452A, R513A, R507A, R290, R1234yf, R1234ze(E), R32<sup>1)</sup>, R447A, R452B, R454B, R454C
- Medium temperature TS min./max.: -30°C/+120°C
- Ambient temperature min./max.: -30°C /+50°C
- Relative humidity: 0 to 95%RH
- Max. operating pressure PS: 4.5Mpa
- Installation position:
  - Liquid, suction and discharge line
  - Coil upwards, coil axis  $\pm 15^\circ$  to tolerance versus vertical axis
  - Flow direction corresponds to the arrow
- Declaration according to LVD or PED, UL approval

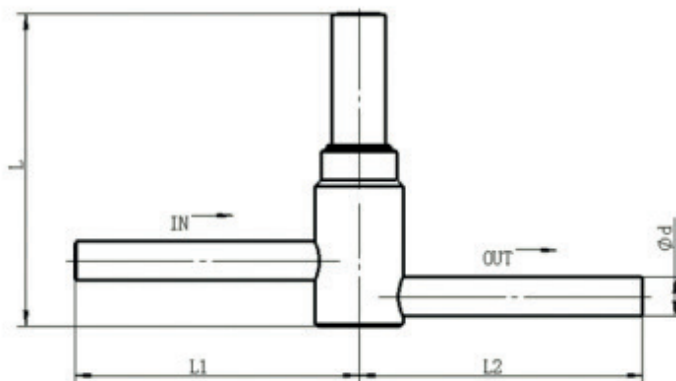
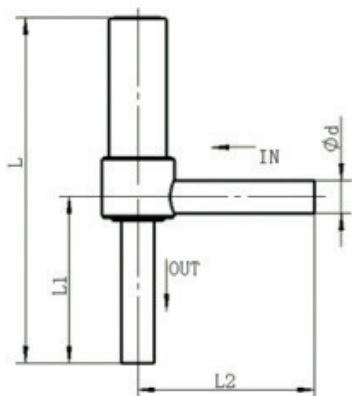
**Note:** 1) With R32 only respecting MOP 45 bar



**TECHNICAL PARAMETERS OF VALVE BODY**

Model Valve Body	Part Number	Normal Position	Actuation	Ø Seat [mm]	Kv [mm]	MOP [MPa]	OPD [MPa]		Ød ODM [inch]
							Max	Min	L2
LDF2A01	10127000102	NC	Direct	2	0.12	4.5	3.1	0	1/4
LDF2A02	10127000402			2	0.12	4.5	3.1	0	1/4
LDF3A08	10127001802		Pilot	3	0.26	4.5	3.1	0.005	1/4
LDF4A08	10127001102			4	0.3	4.5	3.1	0.005	1/4
LDF6A08	10127001202			5.8	0.6	4.5	3.1	0.005	5/16
LDF8A01	10127000502			8	0.9	4.5	3.1	0.005	3/8
LDF8A02	10127000602			8	1.1	4.5	3.1	0.005	3/8

Model Valve Body	Ød ODM [inch]	Dimensions			Drawings number
		L	L1	L2	
LDF2A01	1/4	51,6	40	39,5	2
LDF2A02	1/4	79,6	38,5	40	1
LDF3A08	1/4	91	45,8	46,7	1
LDF4A08	1/4	91	45	46	1
LDF6A08	5/16	95	48,5	49	1
LDF8A01	3/8	67	71	71	2
LDF8A02	3/8	120,7	69,5	71	1

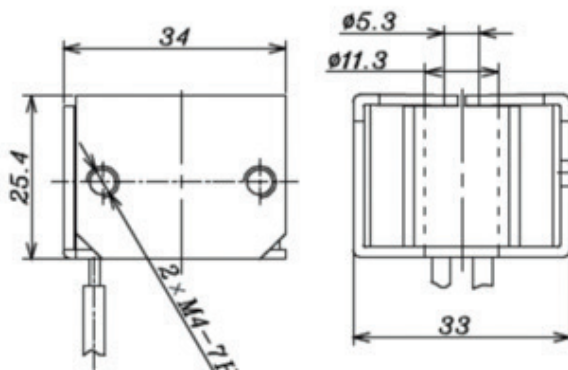




## TECHNICAL PARAMETERS OF COIL

Model Coil	Rated voltage [V]	Power [W]	Voltage Tolerance	Insulation Class	Wiring type	Cable length, [mm]	Part Number
FQ-A05 024-000709	AC 24	5 (50Hz) 4,5 (60Hz)				1800	10800072302
FQ-A05 120-001098	AC 120	5 (50Hz) 4,5 (60Hz)	+10% -15%	B	Lead Wires	800	10800062002
FQ-A05 22G-001022	AC 220-240	5 (50Hz) 4,5 (60Hz)				600	10800057302

## DIMENSIONS - COIL



For complete product family information please visit us at [www.sanhuaeurope.com](http://www.sanhuaeurope.com) and download the full range of datasheet at TECHNICAL INFORMATION LINK.