

SANHUA *GZF SERIES* Angle Valve



Applicable for compressors, reservoirs of commercial air conditioner, freezing or deep-freezing equipment or for pipe connection; it can close inner passage of the valve by operating the valve stem.



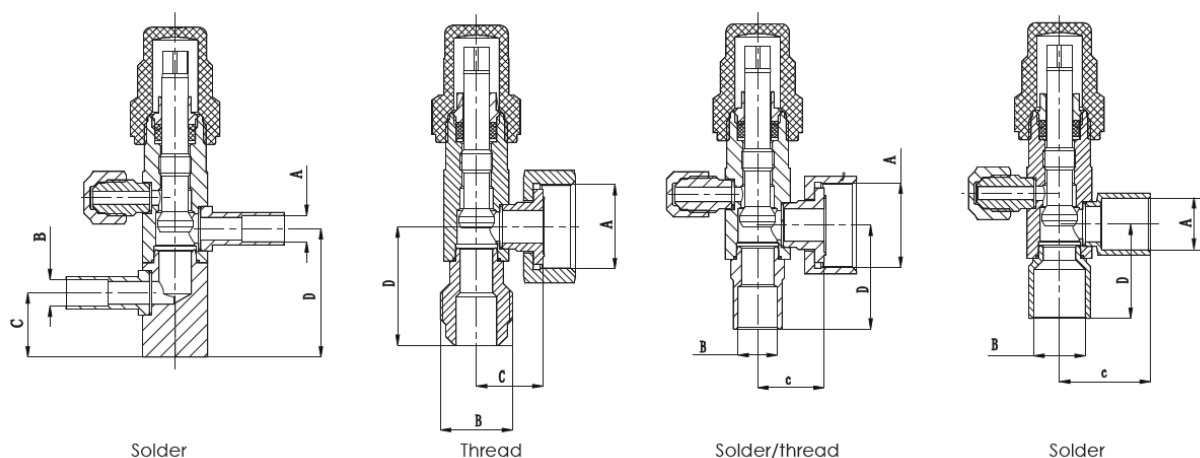
FEATURES

- BIDIRECTIONAL FLOW
- PRODUCTS ARE 100% H/HE INSPECTED
- HIGH PRECISION AND RELIABILITY: PROCESSED BY DEDICATED EQUIPMENT
- GOOD CONSISTENCY: MULTI-SPOT WELDED BY TUNNEL FURNACE
- EXCELLENT TEMPERATURE RESISTANCE: UTILIZING SPECIAL SEALING MATERIALS

GENERAL SPECIFICATIONS

- Applicable refrigerant: R22, R134a, R407C and R410A etc.
- Applicable medium temperature: $-40^{\circ}\text{C} \sim +150^{\circ}\text{C}$
- Maximum working pressure: 4.83MPa
- Certification: UL

DIMENSIONS





SANHUA GZF SERIES Angle Valve

GENERAL CHARACTERISTICS

Model	Dimensions							Connection Type
	Diagonal Size of Valve Body mm	A		B		Structure Size mm		
		Thread	Solder in	Thread	Solder in	C	D	
GZF(20)-ZB022	20	/	1/4	/	1/4	28	29	Solder
GZF(20)-ZB033		/	3/8	/	3/8	28	29	
GZF(20)-ZB044		/	1/2	/	1/2	28	29	
GZF(20)-ZB055		/	5/8	/	5/8	28	29	
GZF(20)-ZA042		3/4-16UNF	/	7/16-20UNF	/	19,8	30	Thread
GZF(20)-ZA043			/	5/8-18UNF	/	19,8	30	
GZF(20)-ZA044			/	3/4-16UNF	/	19,8	30	
GZF(20)-ZA045			/	7/8-14UNF	/	19,8	30	
GZF(20)-ZC042		20	/	/	1/4	19	27	Solder / thread
GZF(20)-ZC043			/	/	3/8	16,5	39,5	
GZF(20)-ZC044			/	/	1/2	19	27	
GZF(20)-ZC045			/	/	5/8	19	27	
GZF(20)-ZC083			/	/	3/8	20,5	32	
GZF(20)-ZC084			/	/	1/2	20,5	32	
GZF(20)-ZC085			/	/	5/8	20,5	37	
GZF(20)-ZA082			1-14UNS	/	7/16-20UNF	/	20,5	
GZF(20)-ZA083		/		5/8-18UNF	/	20,5	33,5	
GZF(20)-ZA084		/		3/4-16UNF	/	20,5	33,5	
GZF(20)-ZA085		/		7/8-14UNF	/	30,5	36,5	
GZF(22)-ZB055		22	/	5/8	/	5/8	33,5	40
GZF(22)-ZB085	1-14UNS		/	7/8-14UNF	/	36	39,5	Thread
GZF(30)-ZB066	30	/	3/4	/	3/4	17,5	50	Solder
GZF(30)-ZB077		/	7/8	/	7/8	40	42	
GZF(30)-ZB099		/	1 1/8	/	1 1/8	51	53	
GZF(30)-ZC0A7		1 1/4-12UNF	/	/	7/8	25	42	Solder / thread
GZF(30)-ZC0A9		1 1/4-12UNF	/	/	1 1/8	25	56,5	
GZF(30)-ZC0B7		1 3/4-12UN	/	/	7/8	25	56,5	
GZF(30)-ZC0B9		1 3/4-12UN	/	/	1 1/8	27,5	57	



SANHUA GZF SERIES Angle Valve

GENERAL CHARACTERISTICS

Model	Dimensions							Connection Type
	Diagonal Size of Valve Body mm	A		B		Structure Size mm		
		Thread	Solder in	Thread	Solder in	C	D	
GZF(35)-ZB099	35	/	1 1/8	/	1 1/8	52,5	58	Solder
GZF(35)-ZB0BB		/	1 3/8	/	1 3/8	52,5	58	
GZF(35)-ZB0DD		/	1 5/8	/	1 5/8	52,5	58	
GZF(35)-ZC0E9		1 3/4-12UN	/	/	1 1/8	31	56,5	Solder / thread
GZF(35)-ZC0EB		1 3/4-12UN	/	/	1 3/8	31	62,5	
GZF(35)-ZC0ED		1 3/4-12UN	/	/	1 5/8	31	62,5	
GZF(50)-ZB0DD	50	/	1 5/8	/	1 5/8	62,5	69	Solder
GZF(50)-ZB0HH		/	2 1/8	/	2 1/8	67,5	74	
GZF(50)-ZC0ED		1 3/4-12UN	/	/	1 5/8	62,5	69	Solder / thread
GZF(50)-ZC0IH		1 3/4-12UN	/	/	2 1/8	41,8	72,5	