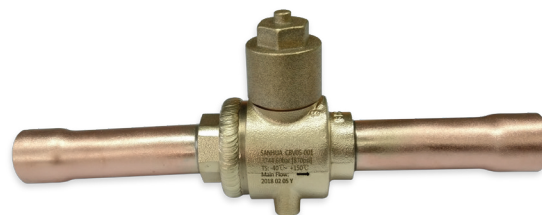




CBV SERIES

BALL VALVE

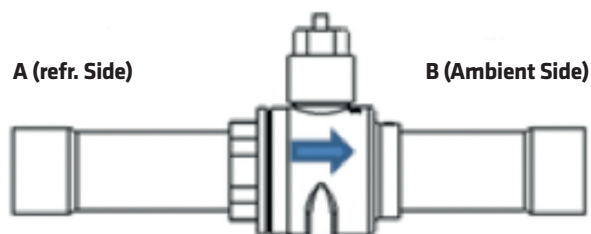


CBV valves are typically used in commercial CO₂ refrigeration applications in order to open and to shut off inner flow path by operating the valve stem. The ball valve of series CBV is applicable for subcritical CO₂ refrigeration systems and is a perfect choice for all similar CO₂ systems.

FEATURES

- STRAIGHTWAY TYPE, FULL PORT, LOW PRESSURE DROP, COST-EFFECTIVE
- VALVE BODY AND VALVE SEAT WITH WELDED STRUCTURE, WITH HIGH PRODUCT RELIABILITY
- ROTATE ¼ CIRCLES FROM FULL-OPEN TO FULL-CLOSE, EASY TO OPERATE
- BIDIRECTIONAL FLOW ¹⁾
- ROTATION STOP FOR FULL-OPEN AND FULL-CLOSE OF THE VALVE AVAILABLE
- SPECIAL SEALING MATERIALS TO PREVENT INTERNAL LEAKAGE

Note: 1) CBV valves fulfill internal tightness requirements of the standard EN12284, paragraph 9.6.3 in both flow directions. Installations with shut off function to the atmosphere (just temporarily for service purpose): Please install the solder connection "B" at the airside. Please see solder connection "A" and "B" at the dimensional drawing page 3.
Remark: Welding body junction is always at solder connection "A"



GENERAL SPECIFICATION

- Applicable for R744 (CO₂)
- Medium temperature TS min./max.: -40°C/+150°C
- Max. operating pressure PS: 6,0 MPa (60bar)
- Installation position: liquid, suction and discharge line in all directions
- Certification: PED declaration.


GENERAL CHARACTERISTICS

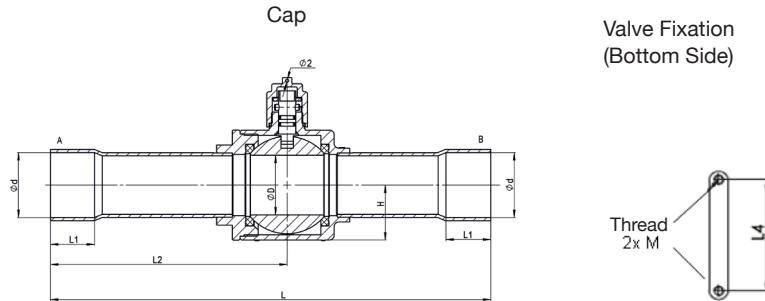
Model	Part Number* ¹⁾	Connection Ø d ODF		Kv	Wrench Size Cap	PED Category
		[inch]	[mm]	[m ³ /h]	[mm]	
CBV02-002	10150074202	-	6	1,9	H14	4.3
CBV02-001	10150074102	1/4	-	1,9	H14	4.3
CBV03-001	10150074302	3/8	-	5,5	H14	4.3
CBV03-002	10150074402	-	10	5,5	H14	4.3
CBV04-002	10150074602	-	12	7,3	H14	4.3
CBV04-001	10150074502	1/2	-	7,3	H14	4.3
CBV05-001	10150074702	5/8	16	13,8	H14	4.3
CBV06-002	10150074902	-	18	20,6	H17	4.3
CBV06-001	10150074802	3/4	-	20,6	H17	4.3
CBV07-001	10150063002	7/8	22	29,0	H17	4.3
CBV09-002	10150075002	-	28	54,3	H17	4.3
CBV09-001	10150062902	1 1/8	-	54,3	H17	4.3
CBV11-001	10150075102	1 3/8	35	85,5	H17	I
CBV13-002	10150062802	1 5/8	-	133,7	H17	I
CBV13-003	10150075202	-	42	133,7	H17	I
CBV17-001	10150075302	2 1/8	54	225,0	H19	I

Note: * Available also as industrial package. Contact Sanhua for more details.

1) Extent of delivery: valve body and standard cap



DIMENSIONS & WEIGHT



Model	Part Number*	L	L1	L2	L4	D	H	M	Weight
CBV02-002	10150074202	132	8	68	22	14	16	M4 x 0,7	0,28
CBV02-001	10150074102	132	8	68	22	14	16	M4 x 0,7	0,28
CBV03-001	10150074302	132	8	68	22	14	16	M4 x 0,7	0,29
CBV03-002	10150074402	132	8	68	22	14	16	M4 x 0,7	0,29
CBV04-002	10150074602	160	10	85	22	14	16	M4 x 0,7	0,30
CBV04-001	10150074502	160	10	85	22	14	16	M4 x 0,7	0,30
CBV05-001	10150074702	160	12	85	22	14	16	M4 x 0,7	0,30
CBV06-002	10150074902	185	14	99	30	19	20	M4 x 0,7	0,51
CBV06-001	10150074802	185	14	99	30	19	20	M4 x 0,7	0,51
CBV07-001	10150063002	185	17	99	30	19	20	M4 x 0,7	0,52
CBV09-002	10150075002	208	20	112	38	25	25	M4 x 0,7	0,73
CBV09-001	10150062902	208	20	112	38	25	25	M4 x 0,7	0,73
CBV11-001	10150075102	251	25	136	48	32	31	M6 x 1,0	1,42
CBV13-002	10150062802	281	29	151	55	38	35	M6 x 1,0	1,90
CBV13-003	10150075202	281	29	151	55	38	35	M6 x 1,0	1,90
CBV17-001	10150075302	305	34	167	74	50	46	M6 x 1,0	3,74

* Available also as industrial package. Contact Sanhua for more details.

For complete product family information please visit us at www.sanhuaeurope.com and download the full range of datasheet at TECHNICAL INFORMATION LINK.