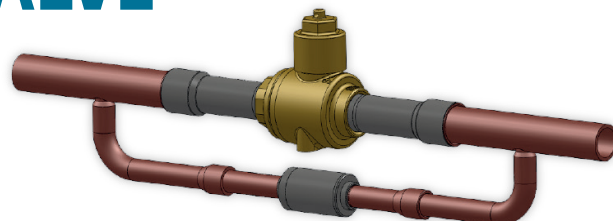




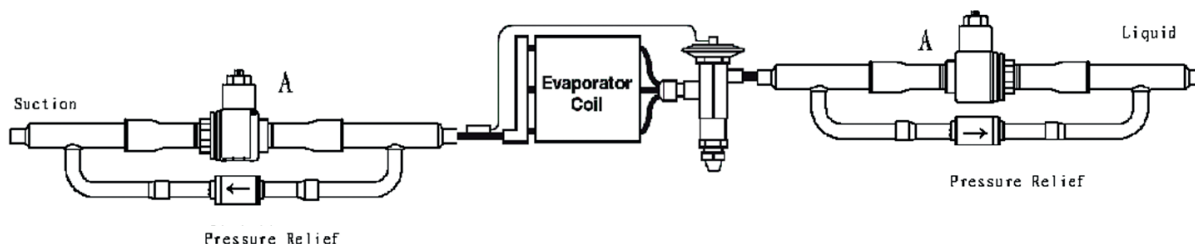
GZJA SERIES

GZJA SUB ASSEMBLY SERIES: BALL VALVE + CHECK VALVE [R744 SUB-CRITICAL]



GZJA sub-assemblies include a CBVT ball valve (PS=140bar) and a BCV check valve (PS=90bar); they are typically used in commercial CO₂ refrigeration applications, to isolate specific parts or components present in the system. With the ball valves in closed position the refrigerant cannot achieve the isolated component, but it can be suck up through the check valves. A typical application is keeping evaporator coil isolated without over pressurizing due to warm up.

Figure 1



The symbol 'A' indicates the pressure relief side of the sub assembly. Any pressure builds up on the 'A' side with the ball valve in the closed position can relieve to the other side of the ball valve. When used on an evaporator coil, the 'A' side of the assembly should always be on the coil side. (Refer to Figure 1.)

FEATURES

- RELIABLE WELDING QUALITY, AND AVOID WELDING MISTAKE OF CHECK VALVE DIRECTION
- COMPACT DESIGN TO SAVE INSTALLATION SPACE

GENERAL SPECIFICATIONS

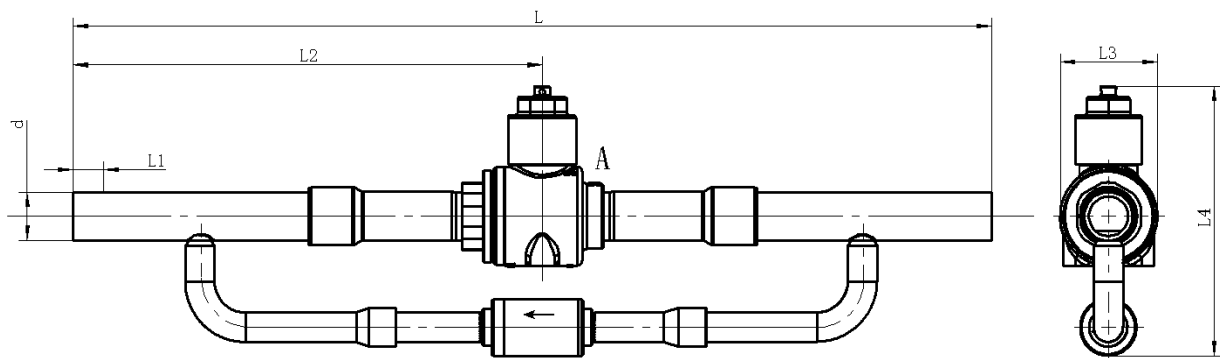
- Applicable for R744 (CO₂)
- Medium temperature TS min./max.: -40°C/+90°C
- Max. Operation pressure PS: 9MPa (90bar)
- Certification: PED declaration
- UL certification – Not available (on request)



GENERAL CHARACTERISTICS

Model	Part Number	Solder connection Ø d (ODM)	KV [BALL VALVE]	KV [CHECK VALVE]	Wrench Size Cap	PED Category
		[inch]	[m ³ /h]	[m ³ /h]	[mm]	
GZJA66004	10245294201	3/8	13,8	0,9	H19	4.3
GZJA66005	10245294301	1/2	13,8	0,9	H19	4.3
GZJA66006	10245294401	5/8	13,8	0,9	H19	4.3
GZJA66007	10245294501	3/4	20,6	0,9	H19	4.3
GZJA66008	10245294601	7/8	29,0	0,9	H19	4.3
GZJA66009	10245294701	1 1/8	54,2	0,9	H19	4.3

DIMENSIONS AND WEIGHTS



Model	Part number (Industrial pack)	Solder connection Ø d (ODM)	Wrench Size Cap					Weight
			L	L1	L2	L3	L4	
			[inch]	[mm]	[mm]	[mm]	[mm]	
GZJA66004	10245294201	3/8	302	10	151	32.2	87.3	550
GZJA66005	10245294301	1/2	302	10	151	32.2	88	550
GZJA66006	10245294401	5/8	302	10	151	32.2	88	550
GZJA66007	10245294501	3/4	383.3	10	196.7	40.2	104.8	940
GZJA66008	10245294601	7/8	383.3	10	196.7	40.2	105.4	1000
GZJA66009	10245294701	1 1/8	382.6	10	196.7	53.6	111.8	1600

For complete product family information please visit us at www.sanhuaeurope.com and download the full range of datasheet at TECHNICAL INFORMATION LINK.