

LRA SERIES

LIQUID RECEIVER

Liquid receiver is usually installed in liquid line of refrigeration or AC systems to store excessive refrigerant when the load of the system changes



A series

B series

C series

FEATURES

- THREE DIFFERENT SERIES AND SIXTEEN MODELS OF VERTICAL MODELS ARE AVAILABLE.
- THE INLET TUBE IS SOLDER CONNECTION AND 3 TYPES OF OUTLET CONNECTIONS ARE AVAILABLE: A SERIES WITH SOLDER CONNECTION, B SERIES WITH FLARE CONNECTION, AND C SERIES WITH ANGLE VALVE STRUCTURE.
- THE FIXING OF A AND B SERIES IS CENTRAL THREADED BOLT BELOW, WHILE C SERIES IS FASTENING BRACKET BELOW.
- INTERNAL FLOW-OUT IS REALIZED BY SUCTION TUBE FROM THE BOTTOM OF THE RECEIVER.
- POWDER COATED SURFACE CAN SURVIVE 500 HOURS OF SALT SPRAY TEST.

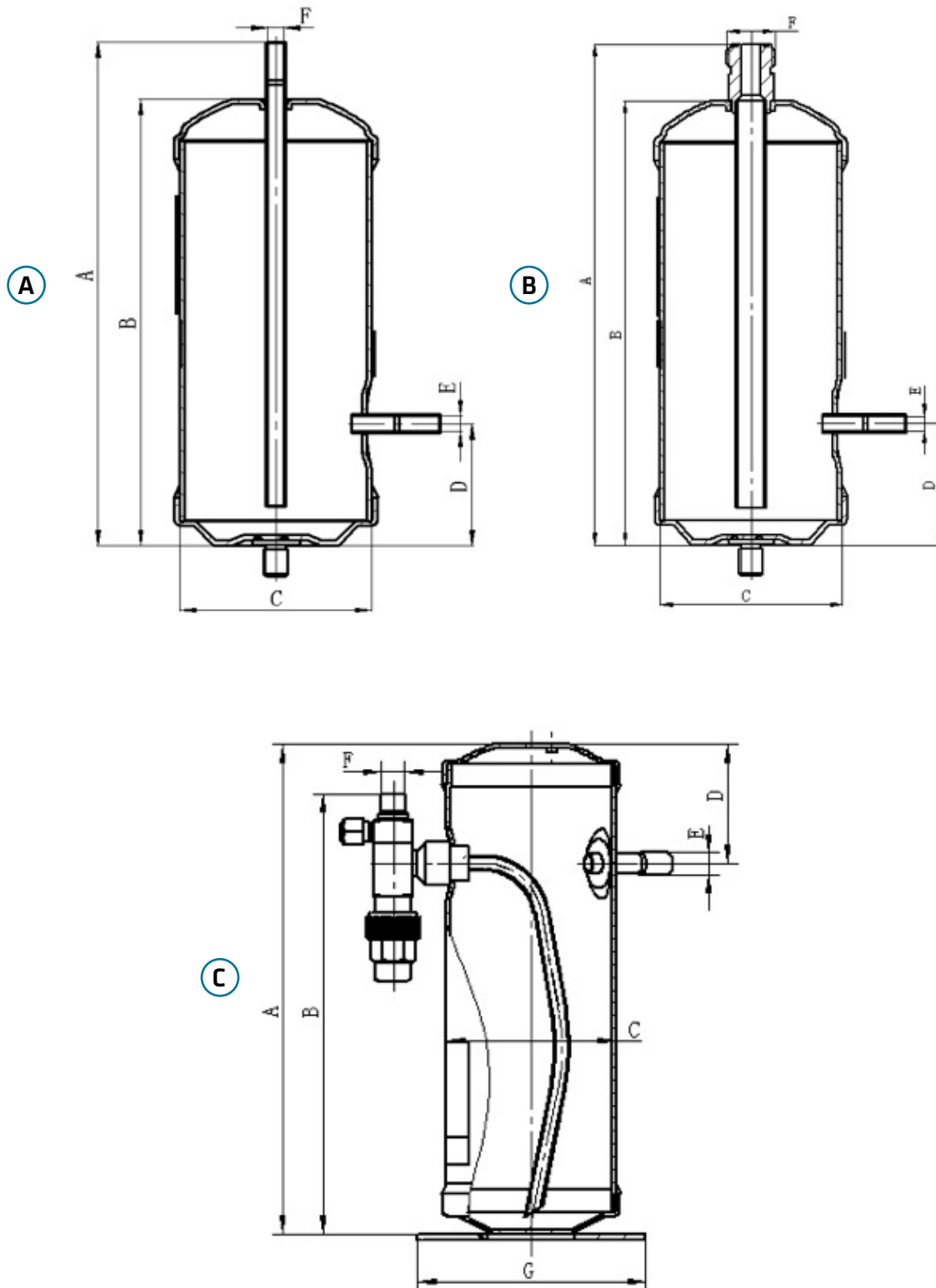
GENERAL SPECIFICATIONS

- Applicable refrigerant: HCFC, HFC and HFO
- Applicable medium temperature: -30 °C to +120 °C
- Applicable ambient temperature: -35 °C to +55 °C
- Maximum allowable pressure: 35bar
- Certification: UL and PED declaration*

- *:
- PED declaration is available for the models in Art.4.3 or category grading I for FG I & FG II (Tab.2).
 - **For the other higher categorised models, the corresponding PED certifications are still pending and can be only provided on request.**



TECHNICAL PARAMETERS





Series	Model	U11 Code	Internal Volume (L)	Dimensions [mm]						
				A	B	C	D	E (Inlet)	F (Outlet)	G
A	LRA-A01063-901	10210015701	0.4	171	143	Φ63.5	51	Φ6.5±0.1	Ø6.5±0.1	/
	LRA-A02076-901	10210015801	0.75	210	186	Φ76	51	Φ6.5±0.1	Ø6.5±0.1	/
B	LRA-B01076-901	10210015601	0.6	171±4	147±3	Φ76	51	Φ6.5±0.1	3/4-16UNF-2A	/
	LRA-B02076-901	10210019601	0.75	210±4	186±3	Φ76	51	Φ6.5±0.1	3/4-16UNF-2A	/
	LRA-B03076-901	10210020601	0.9	252±4	228±3	Φ76	51	Φ 6.5±0.1	3/4-16UNF-2A	/
	LRA-B04076-901	10210020701	1.2	323±4	299±3	Φ76	51	Φ6.5±0.1	3/4-16UNF-2A	/
	LRA-B05127-901 ¹	10210015501	2.1	221±5	197±4	Φ127	63.5	Φ6.5±0.1	3/4-16UNF-2A	/
	LRA-B06127-901 ¹	10210015301	3.5	329±5	305±4	Φ127	63.5	Φ9.7±0.1	3/4-16UNF-2A	/
	LRA-B07153-901 ¹	10210019701	5	328.5±5	304.8±4	Φ152.4	63.5	Φ9.7±0.1	1-14UNS-2A	/
	LRA-B08153-901 ^{1,2}	10210016001	6	403.5±5	379.5±4	Φ152.4	63.5	Φ9.7±0.1	1-14UNS-2A	/
C	LRA-C01089-901 ¹	10210016101	1.5	254	224	Φ89	63.5	Φ9.7±0.1	Φ9.7±0.1	120
	LRA-C02127-901 ¹	10210016301	2.5	257	240	Φ127	63.5	Φ9.7±0.1	Φ9.7±0.1	165.1
	LRA-C03153-901 ¹	10210018201	5.2	307.8	270.8	Φ152.4	63.5	Φ9.7±0.1	Φ9.7±0.1	165.1
	LRA-C04153-901 ^{1,2}	10210015401	6.8	409.4	372	Φ152.4	63.5	Φ9.7±0.1	Φ9.7±0.1	165.1
	LRA-C05153-901 ^{1,2}	10210016201	7.7	460	423.2	Φ152.4	63.5	Φ12.85±0.1	Φ12.85±0.1	165.1
	LRA-C06153-901 ^{1,2}	10210018101	9.9	587.2	550.2	Φ152.4	63.5	Φ12.85±0.1	Φ12.85±0.1	165.1

Tab.1: Models and dimensions of the liquid receiver LRA-A/B/C series

Note: ¹: the model is on request regarding classification as category II or III for refrigerant group I with hazardous substance or mixture according to PED (Tab.2).

²: the model is on request regarding classification as category II for refrigerant group II without hazardous substance or mixture according to PED (Tab.2).



Product model	Net Volume [L]	PS [bar]	PS*V	PED Category	
				FG II	FG I
LRA-A01063-901	0,4	35	14	Art.4.3	Art.4.3
LRA-A02076-901	0,75	35	26,25	Art.4.3	I
LRA-B01076-901	0,6	35	21	Art.4.3	Art.4.3
LRA-B02076-901	0,75	35	26,25	Art.4.3	I
LRA-B03076-901	0,9	35	31,5	Art.4.3	I
LRA-B04076-901	1,2	35	42	Art.4.3	I
LRA-B05127-901	2,1	35	73,5	I	II
LRA-B06127-901	3,5	35	122,5	I	II
LRA-B07153-901	5	35	175	I	II
LRA-B08153-901	6	35	210	II	III
LRA-C01089-901	1,5	35	52,5	I	II
LRA-C02127-901	2,5	35	87,5	I	II
LRA-C03153-901	5,2	35	182	I	II
LRA-C04153-901	6,8	35	238	II	III
LRA-C05153-901	7,7	35	269,5	II	III
LRA-C06153-901	9,9	35	346,5	II	III

Tab.2: Category grading of the liquid receiver LRA-A/B/C series