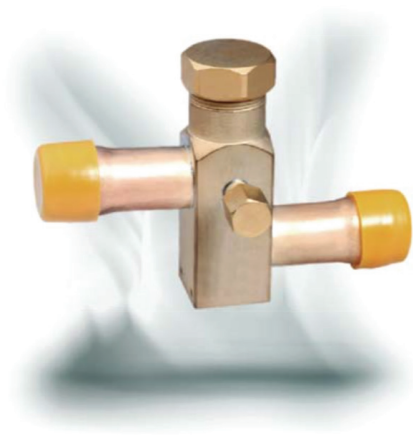


SMV SERIES | *Brass Service Valve*



The SMV series bar stock service valves are applicable for air conditioning or refrigeration systems requiring a means to shut off refrigerant flow. The valves can be used for system servicing, evacuation, and refrigerant charging.

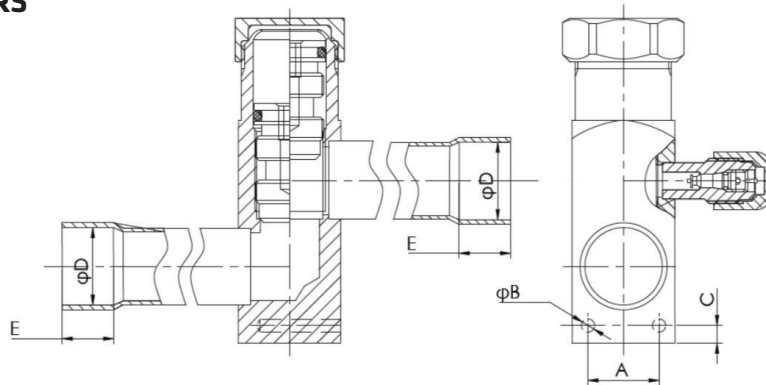
FEATURES

- LOW PRESSURE DROP
- MAY BE CONFIGURED TO MEET CUSTOMER'S REQUIREMENTS
- 100 PERCENT LEAK CHECKED

GENERAL SPECIFICATION

- Applicable for all common HCFC and HFC refrigerants such as: R-22, R-134a, R-404A, R-407C, R-410A, R-507
- Fluid temperature range: -22°F to +250°F
- Maximum operating pressure: 700 psig
- Contraction: SMV-JA3 though JA9 brass bar-stock body
SMV-8, -15, 17 forged brass body
- Installation Position: liquid, suction and discharge line in any position
- Certifications: UL/CSA listed

TECHNICAL PARAMETERS

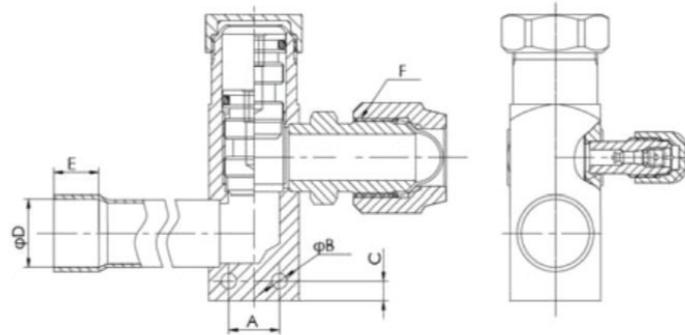


Solder Connection

SMV SERIES | Brass Service Valve

SOLDER CONNECTIONS

Model	Conn Size (in)	Dimensions (in)					Thread Size
		A	B	C	D	E	F
SMV-JA3Y	3/8	0.42±0.02	0.14±0.004	0.14	0.38	0.31±0.04	/
SMV-JA4Y	1/2	0.70±0.02	0.14±0.004	0.14	0.50	0.38±0.04	/
SMV-JA5Y	5/8	0.70±0.02	0.14±0.004	0.14	0.63	0.56±0.04	/
SMV-JA6Y	3/4	0.70±0.02	0.14±0.004	0.14	0.75	0.62±0.04	/
SMV-JA7Y	7/8	0.70±0.02	0.14±0.004	0.14	0.88	0.75±0.04	/
SMV-JA8Y	1	0.70±0.02	0.14±0.004	0.14	1.00	0.59±0.04	/
SMV-JA9Y	1-1/8	0.70±0.02	0.14±0.004	0.14	1.13	0.59±0.04	/
SMV-8JA3Y	3/8	0.42±0.02	0.14±0.004	0.14	0.38	0.31±0.04	/
SMV-15JA4Y	1/2	0.70±0.02	0.14±0.004	0.14	0.50	0.38±0.04	/
SMV-15JA5Y	5/8	0.70±0.02	0.14±0.004	0.14	0.63	0.56±0.04	/
SMV-15JA6Y	3/4	0.70±0.02	0.14±0.004	0.14	0.75	0.62±0.04	/
SMV-17JA7Y	7/8	0.70±0.02	0.14±0.004	0.14	0.88	0.75±0.04	/



Solder/Flare Nut

SOLDER / FLARE NUTS

Model	Conn Size (in)	Dimensions (in)					Thread Size
		A	B	C	D	E	F
SMV-JA3	3/8	0.42±0.02	0.14±0.004	0.14	0.38	0.31±0.04	5/8-18UNF
SMV-JA4	1/2	0.70±0.02	0.14±0.004	0.14	0.50	0.38±0.04	3/4-16UNF
SMV-JA5	5/8	0.70±0.02	0.14±0.004	0.14	0.63	0.56±0.04	7/8-14UNF
SMV-JA6	3/4	0.70±0.02	0.14±0.004	0.14	0.75	0.62±0.04	1-1/16-14UNS
SMV-JA7	7/8	0.70±0.02	0.14±0.004	0.14	0.88	0.75±0.04	1-1/16-14UNS
SMV-8JA3	3/8	0.42±0.02	0.14±0.004	0.14	0.38	0.31±0.04	5/8-18UNF
SMV-15JA4	1/2	0.70±0.02	0.14±0.004	0.14	0.50	0.38±0.04	3/4-16UNF
SMV-15JA5	5/8	0.70±0.02	0.14±0.004	0.14	0.63	0.56±0.04	7/8-14UNF
SMV-15JA6	3/4	0.70±0.02	0.14±0.004	0.14	0.75	0.62±0.04	1-1/16-14UNS
SMV-17JA7	7/8	0.70±0.02	0.14±0.004	0.14	0.88	0.75±0.04	1-1/16-14UNS