

# Sight Glass

Sight glasses are installed after the filter drier in liquid line of refrigerating systems, in order to observe property changes of the refrigerant (liquid/vapor) and to indicate the moisture level by colors.



## FEATURES

- HIGH PRECISION COLOR INDICATOR
- INDICATOR PASTED CLOSELY TO THE GLASS TO PREVENT SURFACE CONTAMINATION
- SOLID AND CORROSION RESISTANT BRASS MATERIAL
- GOOD READABILITY DUE TO HIGH CLEAR SIGHT GLASS OF WIDE ANGLE
- SEALING OF LOW CREEP PTFE TO ENSURE LEAKAGE FREE PERFORMANCE
- NEW ANNULAR HUMIDITY COLOR INDICATOR, FULL PORT PASSAGE WITH LOW PRESSURE DROP

## GENERAL SPECIFICATION

- Applicable for all common HCFC, HFC, HFO refrigerants such as: R22, R134a, R404A, R407C, R410A, R507, R407A/F, R448A/R449A, R452A, R450A/R513A<sup>1)</sup>
- Ambient temperature min./max.: -50°C / +80°C
- Medium temperature TS min./max.: -50°C / +80°C
- Max. operating pressure PS: 4,6 MPa (46 bar)
- Installation position:
  - Liquid and suction line
  - Preferably in vertical lines, recommended position for horizontal lines is upwards without inclination in any direction
- Declaration according to PED (all products have been covered by Art.4.3 PED Directive 2014/68/EU)

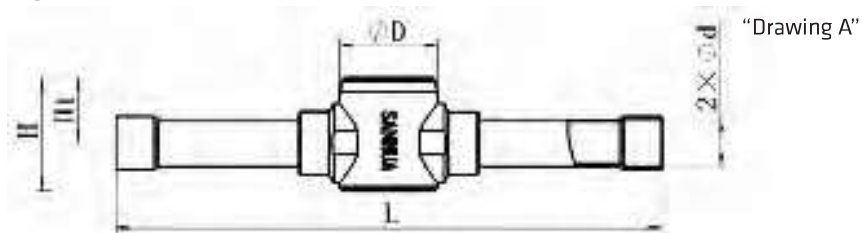
**Note:** 1) Flammable refrigerants like R32, R290, R1234ze(E) on request



Version with Solder Connections

General Characteristics												
Model Series	Model Name	Part Number*	Connection Type [inch]	Connecting dimensions		Dimensions & Weight						drawing
						L	H	H1	ØD	B	Weight	
				[inch]	[mm]	[mm]	[mm]	[mm]	[mm]	[mm]	[g]	
SYJ6	SYJ06H12	10285007102	solder ODF x ODF	-	6	101	23	14	26	/	100	A
SYJ6	SYJ06H11	10285007002	solder ODF x ODF	1/4	-	101	23	14	26	/	100	
SYJ10	SYJ10H11	10285007202	solder ODF x ODF	3/8	-	119	23	14	26	/	100	
SYJ10	SYJ10H12	10285007302	solder ODF x ODF	-	10	119	23	14	26	/	100	
SYJ12	SYJ12H11	10285006902	solder ODF x ODF	1/2	-	146	30	17	26	/	200	
SYJ12	SYJ12H12	10285007402	solder ODF x ODF	-	12	146	30	17	26	/	200	
SYJ16	SYJ16H11	10285007502	solder ODF x ODF	5/8	16	146	30	17	26	/	200	
SYJ19	SYJ19H11	10285007602	solder ODF x ODF	3/4	-	173	36	21	27	/	300	
SYJ22	SYJ22H11	10285007702	solder ODF x ODF	7/8	22	173	36	21	27	/	300	

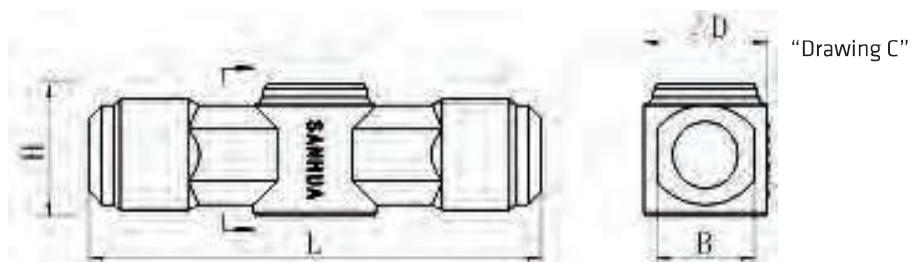
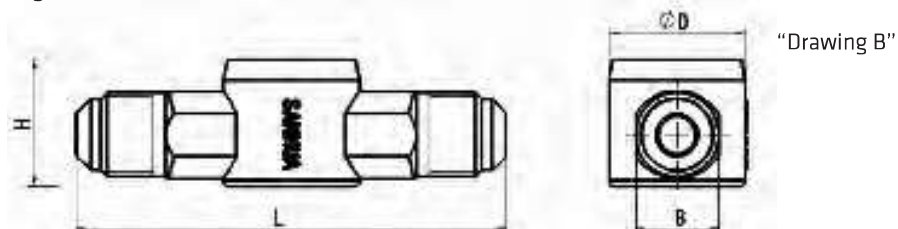
\* Available also as industrial package. Contact Sanhua for more details.



Version with male/male Flare Connections

General Characteristics												
Model Series	Model Name	Part Number*	Connection Type [inch]	Connecting dimensions		Dimensions & Weight						drawing
						L	H	H1	ØD	B	Weight	
				[inch]	[mm]	[mm]	[mm]	[mm]	[mm]	[mm]	[g]	
SYJ6	SYJ06L11	10285007902	flare M x M	1/4	-	67	23,5		27	14	110	B
SYJ10	SYJ10L11	10285008102	flare M x M	3/8	-	82	30		32	22	240	
SYJ12	SYJ12L11	10285008302	flare M x M	1/2	-	88	30		32	22	250	
SYJ16	SYJ16L11	10285008502	flare M x M	5/8	-	104	32		30	24	320	
SYJ19	SYJ19L11	10285008702	flare M x M	3/4	-	110	32		30	24	340	C

\* Available also as industrial package. Contact Sanhua for more details.

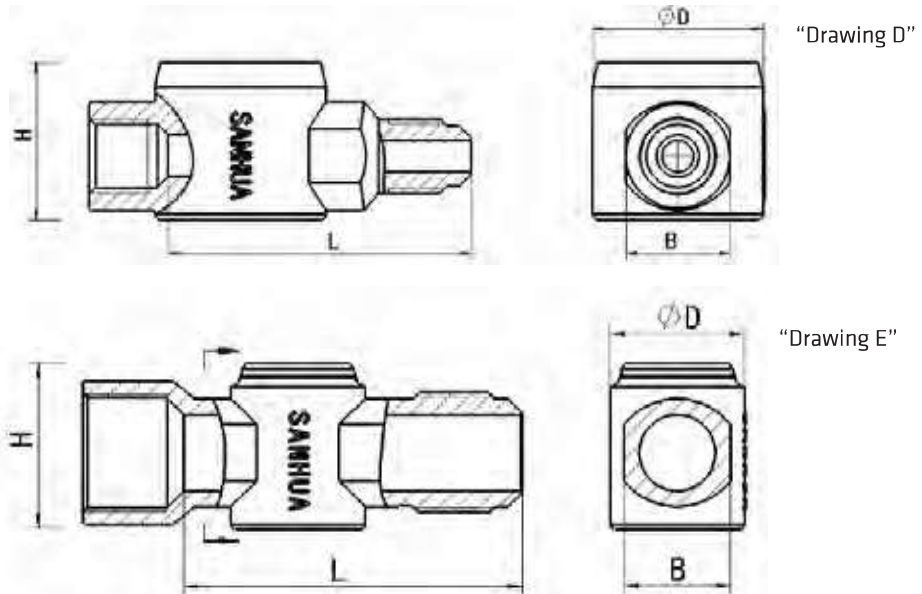




Version with male/female Flare connections

General Characteristics												
Model Series	Model Name	Part Number*	Connection Type [inch]	Connecting dimensions		Dimensions & Weight						drawing
						L	H	H1	ØD	B	Weight	
				[inch]	[mm]	[mm]	[mm]	[mm]	[mm]	[g]		
SYJ6	SYJ06L41	10285008002	flare F x M	1/4	-	46	30		32	22	200	d
SYJ10	SYJ10L41	10285008202	flare F x M	3/8	-	57	30		32	22	240	
SYJ12	SYJ12L41	10285008402	flare F x M	1/2	-	59	32		30	24	250	
SYJ16	SYJ16L41	10285008602	flare F x M	5/8	-	71	37		30	24	320	e
SYJ19	SYJ19L41	10285008802	flare F x M	3/4	-	75	37		30	24	330	

\* Available also as industrial package. Contact Sanhua for more details.



Every second A/C system in the world is equipped with **Inverter Technology**

**SANHUA IS PROVIDING INVERTER CONTROLLER SOLUTIONS TO ITS CUSTOMERS HELPING THEM TO IMPROVE SYSTEM EFFICIENCY BY 30%**

**ADVANCED Technology & Solutions**

- ✓ Improves system efficiency up to **30%**
- ✓ **Active Frequency Conversion Technology**
- ✓ **Wide Range of voltage application**



Moisture Indication Limits

Refrigerant	Moisture Content 25°C: PPM		
	Green/Dry	Middle Color	Yellow/Wet
R22	<100	100~200	>200
R134a	<90	90~180	>180
R404A	<40	40~100	>100
R410A	<90	90~300	>300
R507	<15	15~90	>90
R407C	<120	120~280	>280

Refrigerant	Moisture Content 40°C: PPM		
	Green/Dry	Middle Color	Yellow/Wet
R22	<140	140~350	>350
R134a	<120	120~330	>335
R404A	<80	80~160	>160
R410A	<200	200~580	>580
R507	<80	80~170	>170
R407C	<100	100~260	>260

2 out of 3 AC units are equipped  
**with a SANHUA**  
reversing valve

**ADVANCED**  
Technology & Solutions

- ✓ Improves efficiency by 5%
- ✓ SHF series 1kW to 420 kW
- ✓ Widest range in the market with Single Body Design

YEARLY SANHUA SUPPLIES OVER 50 MILLION  
FOUR WAY REVERSING VALVES TO THE  
COMMERCIAL AND RESIDENTIAL HVAC  
INDUSTRY WORLDWIDE

