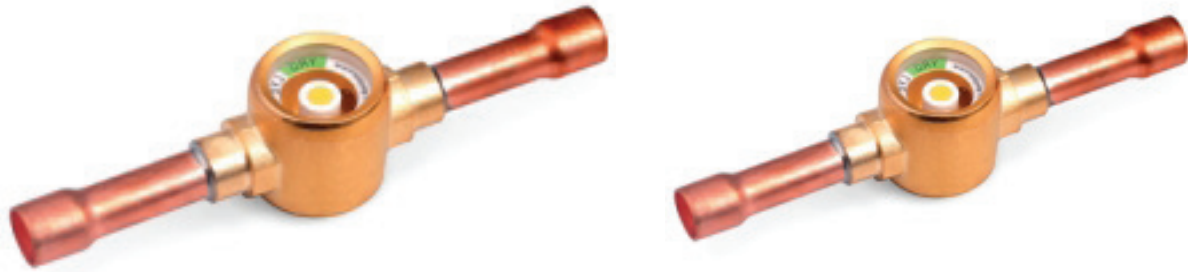


## SYJ SERIES | *Sight Glass*



The SYJ series sight glass/moisture indicator provides a visual means to check the state of the refrigerant in the liquid line. Its moisture indicator provides a simple means to check the amount of moisture in the refrigerant.

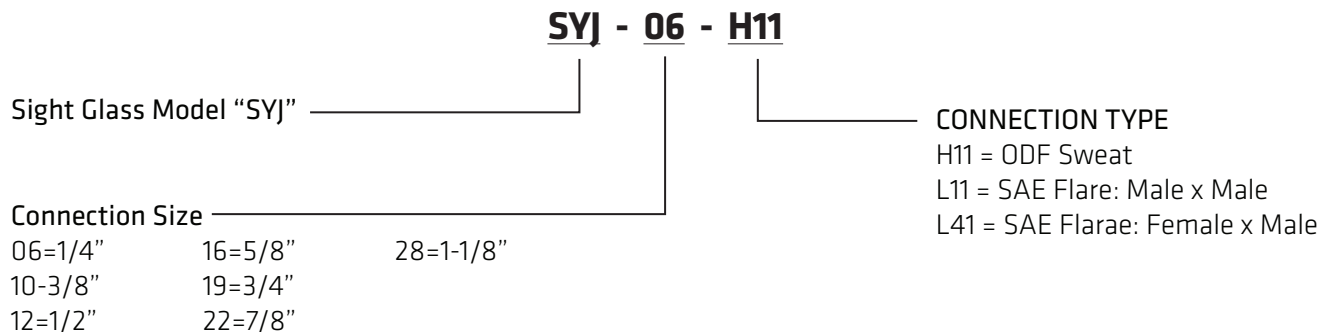
### FEATURES

- HIGH PRECISION MOISTURE INDICATOR COLOR INDICATOR
- CORROSION RESISTANT BRASS BODY
- WIDE ANGLE VISIBILITY

### GENERAL SPECIFICATION

- Applicable for all common HCFC and HFC refrigerants such as: R-22, R-134a, R-404A, R-407C, R-410A, R-507
- Applicable ambient temperatures: -58°F to +176°F
- Fluid temperature range: -58°F to +176°F
- Maximum operating pressure: 667 psig
- Installation Position: liquid or suction in any position
- Certifications: UL SA33969

### MODEL DESIGNATIONS

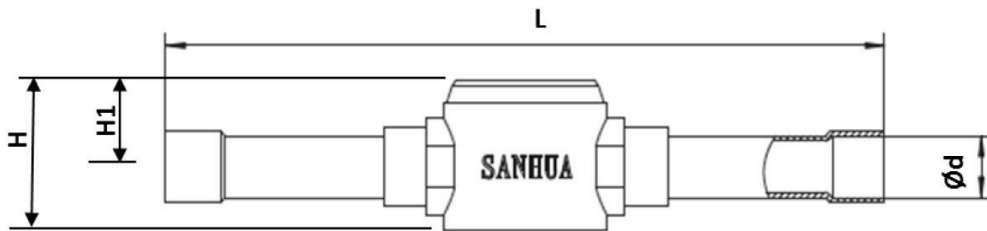


## SYJ SERIES | *Sight Glass*

### DIMENSIONS

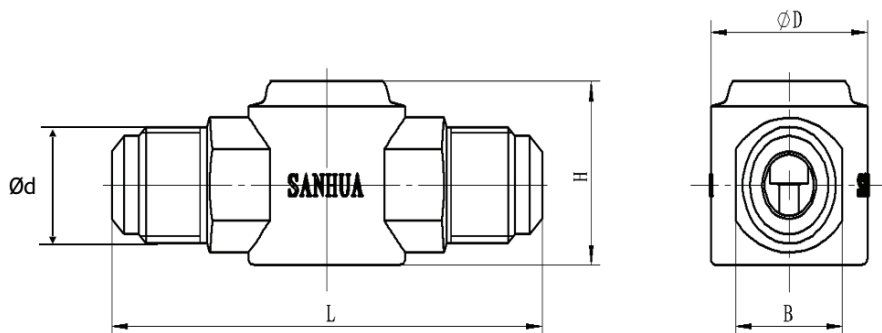
#### ODF SWEAT CONNECTIONS

Model ODF Solder	Connections ODF (in)	Dimensions (in) & Weight (lb)			
	Ød	L	H	H1	Weight
SYJ06H11	1/4	3.98	0.94	0.55	0.22
SYJ10H11	3/8	4.69	0.94	0.55	0.22
SYJ12H11	1/2	5.75	1.18	0.67	0.44
SYJ16H11	5/8	5.75	1.18	0.67	0.44
SYJ19H11	3/4	6.81	1.46	0.83	0.66
SYJ22H11	7/8	6.81	1.46	0.83	0.66
SYJ28H11	1-1/8	6.81	1.42	0.82	0.77



#### SAE FLARE CONNECTIONS: MALE X MALE

Model	Connections SAE Flare (in)	Dimensions (in) & Weight (lb)				
	Ød	L	H	ØD	B	Weight
SYJ06H11	1/4	2.64	0.95	1.26	0.87	0.24
SYJ10H11	3/8	3.23	0.95	1.26	0.87	0.53
SYJ12H11	1/2	3.46	1.18	1.18	0.95	0.55
SYJ16H11	5/8	4.09	1.26	1.18	0.95	0.71
SYJ19H11	3/4	4.33	1.26	1.18	0.95	0.75

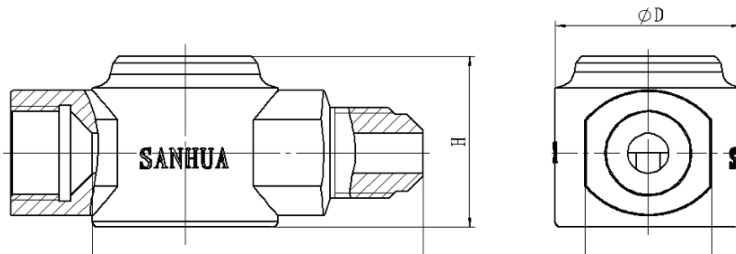


## SYJ SERIES | Sight Glass

### DIMENSIONS CONTINUED

#### SAE FLARE CONNECTIONS: FEMALE X MALE

Model	Connections SAE Flare (in)	Dimensions (in) & Weight (lb)				
	Ød	L	H	ØD	B	Weight
SYJ06L41	1/4	1.81	1.18	1.26	0.87	0.44
SYJ10L41	3/8	1.14	1.18	1.26	0.87	0.53
SYJ12L41	1/2	2.36	1.26	1.18	0.95	0.55
SYJ16L41	5/8	2.83	1.46	1.18	0.95	0.71
SYJ19L41	3/4	2.99	1.46	1.18	0.95	0.73



### TECHNICAL DATA

#### MOISTURE INDICATION LIMITS

Refrigerant	Moisture Content 77°F (PPM)		
	Green (Dry)	Intermediate	Yellow (Wet)
R-22	<100	100~200	>200
R-134a	<90	90~180	>180
R-404A	<40	40~100	>100
R-410A	<90	90~300	>300
R-507A	<15	15~90	>90
R-407C	<120	120~280	>280
R-407A	<180	180~340	>340
R-448A	<220	220~440	>440
R-449A	<180	180~380	>380
R-452A1	<50	50~120	>120
R-450A1	<45	45~260	>260
R-513A	<180	180~280	>280
R-290	<120	120~220	>220
R-1234ze(E)	<120	120~200	>200
R-1234yF	<100	100~180	>180
R-452B	<95	95~290	>290
R-454B	<115	115~290	>290
R-454C	<75	75~160	>160

## SYJ SERIES | *Sight Glass*

### TECHNICAL DATA CONTINUED

#### MOISTURE INDICATION LIMITS

Refrigerant	Moisture Content 104°F (PPM)		
	Green (Dry)	Intermediate	Yellow (Wet)
R-22	<140	140~350	>350
R-134a	<120	120~330	>335
R-404A	<80	80~160	>160
R-410A	<200	200~580	>580
R-507A	<80	80~170	>170
R407C	<100	100~260	>260
R407A	<200	200~560	>560
R-448A	<220	220~480	>480
R-449A	<200	200~450	>450
R452A1	<90	90~170	>170
R450A1	<110	110~420	>420
R513A	<200	200~380	>380
R290	<200	200~320	>320
R1234ze(E)	<140	140~260	>260
R1234yF	<180	180~300	>300
R452B	<210	210~330	>330
R454B	<150	150~340	>340
R454C	<85	85~240	>240