

RBV-R SERIES

BALL VALVE



The ball valve of series RBV-R is applicable for commercial air conditioner, freezing or deep-freezing equipment or other refrigeration circuits in order to open and to shut off inner flow path by operating the valve stem. It can also be used as service valve for vacuum pumping and refrigerant injection etc. The Design Pressure (PS) of the versions RBV-R has been increased to 49 bars allowing the usage in R32 systems. Moreover, the use of graphite sealing material guarantees a wide refrigerant temperature range [from -60°C to +160°C], and the possibility to install RBV-R valves in the high temperature discharge line of R32 systems.

FEATURES

- STRAIGHTWAY TYPE, FULL PORT, LOW PRESSURE DROPS, COST-EFFECTIVE
- HUGE REFRIGERANT TEMPERATURE RANGE ADMITTED
- VALVE BODY AND VALVE SEAT WITH WELDED STRUCTURE, WITH HIGH PRODUCT RELIABILITY
- ROTATE 1/4 CIRCLES FROM FULL-OPEN TO FULL-CLOSE, EASY TO OPERATE
- BIDIRECTIONAL FLOW
- ROTATION STOP ON REQUEST FOR FULL-OPEN AND FULL-CLOSE OF THE VALVE
- SPECIAL SEALING MATERIALS TO PREVENT INTERNAL LEAKAGE
- CERTIFIED ACCORDING PED CAT.II BY TUV RHEINLAND

GENERAL SPECIFICATION

- Applicable for all common HCFC, HFC and HFO refrigerants such as: R22, R134a, R404A, R407A/C/F, R410A, R507A, R448A, R449A, R450A, R452A, R513A, R32, R1234yf, R1234ze, R454A/B/C, R455A, R290, R1270, R600a
- Medium temperature TS min./max.: -60°C / +160°C
- Max. operating pressure PS: 4,9 MPa (49 bar)
- Installation position: liquid, suction and discharge line in all directions
- Models with access fittings are not available
- PED declaration
- Certifications: UL/CSA not available (on request)

RBV-R SERIES BALL VALVE

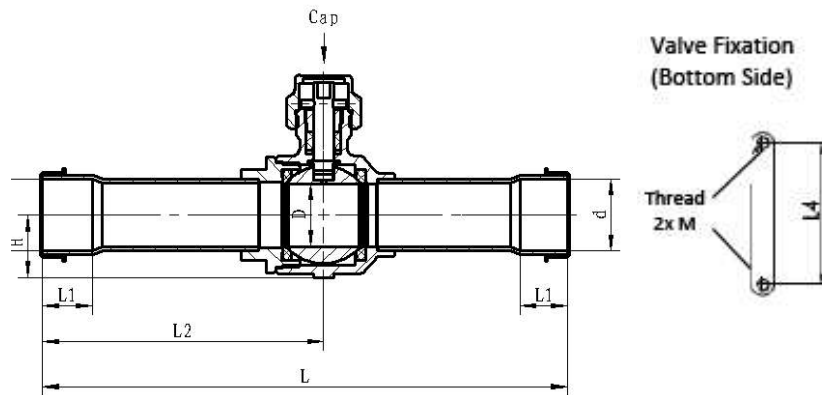


GENERAL CHARACTERISTICS

Without Access Fitting		Connections Ø d ODF		Kv	Wrench Size Cap	PED Category [Fluid Group 1]	PED Category [Fluid Group 2]
Model	Product Number	[inch]	[mm]	[m ³ /h]	[mm]		
RBV02-003R	10150107402	1/4	-	1,9	24	Art. 4.3	Art. 4.3
RBV02-004R	10150107502	-	6	1,9	24	Art. 4.3	Art. 4.3
RBV03-003R	10150107602	3/8	-	5,5	24	Art. 4.3	Art. 4.3
RBV03-004R	10150107702	-	10	5,5	24	Art. 4.3	Art. 4.3
RBV04-003R	10150107802	1/2	-	10,2	24	Art. 4.3	Art. 4.3
RBV04-004R	10150107902	-	12	10,2	24	Art. 4.3	Art. 4.3
RBV05-003R	10150100302	5/8	16	13,8	24	Art. 4.3	Art. 4.3
RBV06-003R	10150108002	3/4	19	19,5	26	Art. 4.3	Art. 4.3
RBV07-003R	10150108102	7/8	22	28,0	26	Art. 4.3	Art. 4.3
RBV09-003R	10150108202	1-1/8	-	51,5	26	Cat. 2	Art. 4.3
RBV09-004R	10150108302	-	28	51,5	26	Cat. 2	Art. 4.3
RBV11-003R	10150108402	1-3/8	35	80,0	30	Cat. 2	Cat. 1
RBV13-003R	10150108502	1-5/8	-	120	30	Cat. 2	Cat. 1
RBV13-004R	10150108602	-	42	120	30	Cat. 2	Cat. 1
RBV17-003R	10150108702	2-1/8	54	225	30	Cat. 2	Cat. 1

- Note:**
- RBV-R model with connection size 2-5/8" available on request*
 - RBV-R model with connection size 3-1/8" (80mm) available on request*
 - RBV-R model with connection size 3-5/8" (92mm) available on request*
- * Size actually not covered by PED cat.II certification

RBV-R SERIES
BALL VALVE



Dimensions & Weight

Product Number Without Access Fitting	L	L1	L2	L4	D	H	M	Weight
	[mm]	[mm]	[mm]	[mm]	[mm]	[mm]	[mm]	[kg]
SHF-20D-46-01	136	10	72	22	14	16,2	M4×0,7	0,33
SHF-20D-47-01	136	10	72	22	14	16,2	M4×0,7	0,33
SHF-20D-57-01	136	10	72	22	14	16,2	M4×0,7	0,34
SHF-20D-67-01	136	10	72	22	14	16,2	M4×0,7	0,34
SHF-35B-47-01	164	10	89	22	14	16,2	M4×0,7	0,34
SHF-35B-57-01	164	10	89	22	14	16,2	M4×0,7	0,34
SHF-35B-59-01	164,5	13	89,5	22	14	16,2	M4×0,7	0,35
SHF-35B-67-01	187	16	101	30	19	21	M4×0,7	0,54
SHF-35B-69-01	185	17	101	30	19	21	M4×0,7	0,55
SHF-35B-79-01	208	21	112	38	25	25	M4×0,7	0,74
SHF(L)-70-810-10	208	21	112	38	25	25	M4×0,7	0,74
SHF(L)-70-810-11	251	25	136	48	32	32	M6×1,0	1,48
SHF(L)-70-911-10	281	28	151	55	38	36	M6×1,0	1,92
SHF(L)-70-911-11	281	28	151	55	38	36	M6×1,0	1,92
SHF(L)-70-913-13	305	34	167	74	50	47	M6×1,0	3,78