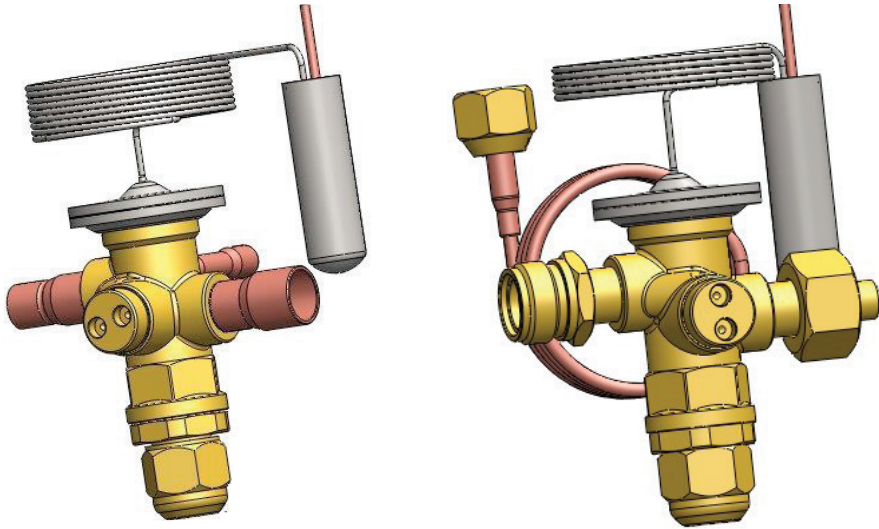


RFGF SERIES | *Thermostatic Expansion Valve*



RFGF series thermostatic expansion valves are used to regulate refrigerant flow into the evaporator while controlling the refrigerant's superheat at the outlet of the evaporator. They incorporate an internal check valve which makes them ideal for use in AC/Heat pump systems.

FEATURES

- AN INTERNAL CHECK VALVE WITH A VERY LOW PRESSURE DROP AT FULL FLOW
- STAINLESS STEEL POWER ELEMENT, CAPILLARY TUBE AND BULB
- ADSORPTION CHARGE FOR STABLE SYSTEM OPERATION AND HIGHER EFFICIENCY
- LASER WELDED POWER ELEMENT

GENERAL SPECIFICATION

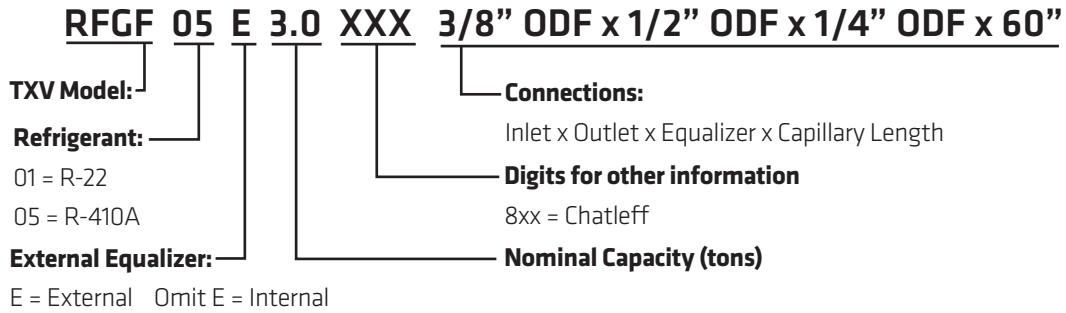
- Applicable for R-22 and R-410A
- Maximum operating pressure:
 - R-22: 500 psig (3.5MPa)
 - R-410A: 670 psig (4.6MPa)
- Certifications: UL/CSA and PED declaration

TECHNICAL PARAMETERS

- RFGF valves are available in straight through configuration
- Adjustable superheat or fixed superheat
- Internal check valve
- Connection types:
 - Chatleff: Inlet: Male Chatleff
Outlet: Female Chatleff
 - External Equalizer: 1/8" ODx24" with 1/4" Female SAE Flare
 - Solder: Inlet: 3/8"ODF, 1/2"ODF, or 5/8"ODF
Outlet: 3/8"ODF, 1/2"ODF, or 5/8"ODF
External Equalizer: 1/4"ODF
- Capillary tube length: 60" (1500mm)
- Power element charge and MOP:
- Temperature range = -22°F to 50°F; with or without 59°F MOP

RFGF SERIES | *Thermostatic Expansion Valve*

MODEL DESIGNATION

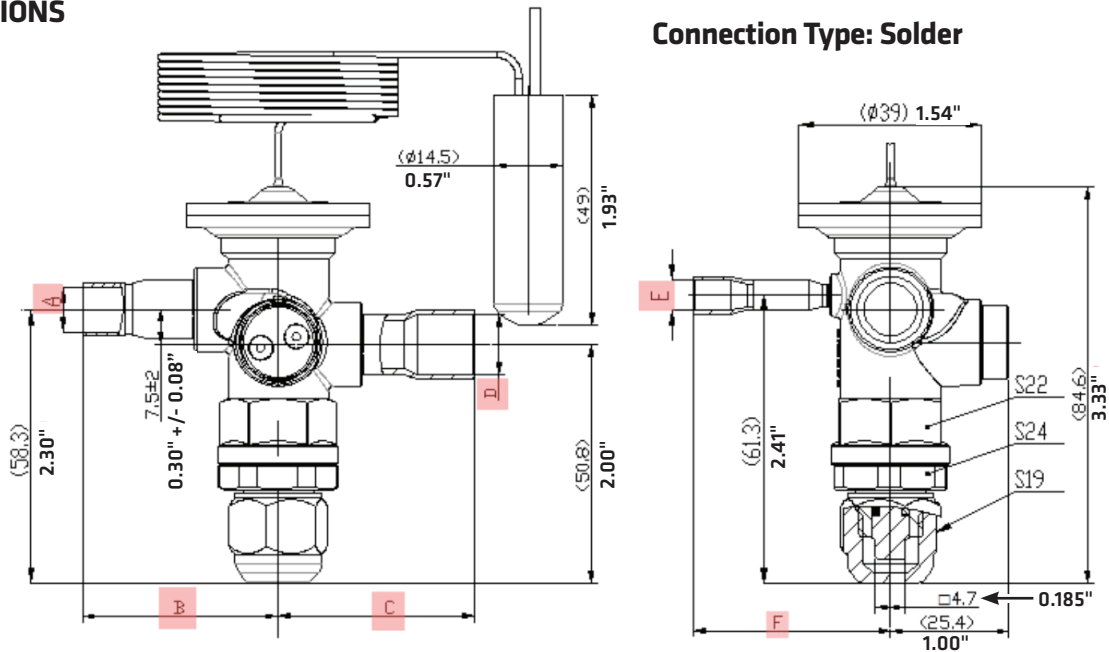


TECHNICAL DATA

Ref.	Model Name	Connection Type	Inlet (inch)	Outlet (inch)	External Equalizer (inch)	Capillary Tube Length (inch)	
R-22	RFGF01E-1.0-401	Solder	3/8 ODF	1/2 ODF	1/4 ODF	60	
	RFGF01E-2.0-402						
	RFGF01E-3.0-403						
	RFGF01E-4.0-404						
	RFGF01E-5.0-405						
	RFGF01E-6.0-406						
	R-22	RFGF01E-1.0-801	Chatleff	Chatleff (Male)	Chatleff (Female)	1/8 ODx24 with 1/4 SAE Female Flare	60
		RFGF01E-2.0-802					
		RFGF01E-3.0-803					
		RFGF01E-4.0-804					
RFGF01E-5.0-805							
RFGF01E-6.0-806							
R-410A	RFGF05E-1.0-411	Solder	3/8 ODF	1/2 ODF	1/4 ODF	60	
	RFGF05E-1.5-410						
	RFGF05E-2.0-412						
	RFGF05E-3.0-413						
	RFGF05E-4.0-414						
	RFGF05E-5.0-415						
	RFGF05E-6.0-416						
	RFGF05E-7.0-417						
	RFGF05E-8.0-418						
	RFGF05E-9.0-419						
	R-410A	RFGF05E-1.0-811	Chatleff	Chatleff (Male)	Chatleff (Female)	1/8 ODx24 with 1/4 SAE Female Flare	60
		RFGF05E-1.5-810					
		RFGF05E-2.0-812					
		RFGF05E-3.0-813					
		RFGF05E-4.0-814					
		RFGF05E-5.0-815					
		RFGF05E-6.0-816					
		RFGF05E-7.0-817					
RFGF05E-8.0-818							
RFGF05E-9.0-819							

RFGF SERIES | Thermostatic Expansion Valve

DIMENSIONS



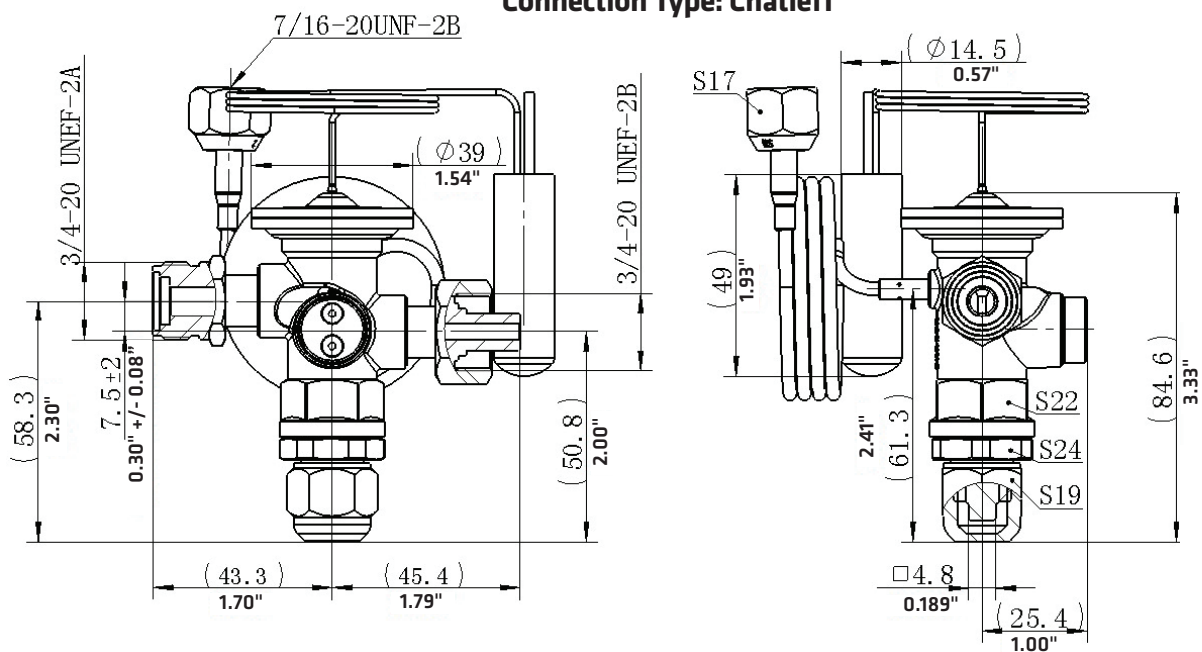
Connection Type: Solder

Inlet Solder Connection Size	Dim A in (mm)	Dim B in (mm)
3/8" ODF	.378 / .384 (9.60/9.75)	1.62 +/- .06 (41.1 +/- 1.5)
1/2" ODF	1.65 +/- .06 (41.9 +/- 1.5)	.504/.510
5/8" ODF	Available on request	

Outlet Solder Connection Size	Dim C in (mm)	Dim D in (mm)
3/8" ODF	.378 / .384 (9.60/9.75)	1.62 +/- .06 (41.1 +/- 1.5)
1/2" ODF	1.65 +/- .06 (41.9 +/- 1.5)	.504/.510 (12.80/12.95)
5/8" ODF	Available on request	

External Equalizer Solder Connection Size	Dim E in (mm)	Dim F in (mm)
1.4" ODF	.256 / .262 (6.50 / 6.65)	1.65 +/- .06 (41.9 +/- 1.5)

Connection Type: Chatleff



RFGF SERIES | Thermostatic Expansion Valve

REFRIGERANT CAPACITY TABLES

R-410A Capacities (tons)

	Nominal Capacity (tons)	Evaporator Temperature (°F)											
		50°						40°					
		Pressure Drop (psi)											
		80	120	160	200	240	280	80	120	160	200	240	280
RFGF	1	0.89	1.09	1.26	1.41	1.54	1.67	0.84	1.03	1.19	1.33	1.46	1.57
	1.5	1.10	1.35	1.56	1.74	1.91	2.06	1.04	1.27	1.47	1.64	1.83	1.94
	2	1.48	1.82	2.10	2.35	2.57	2.78	1.40	1.71	1.98	2.21	2.42	2.62
	2.5	1.85	2.27	2.62	2.93	3.21	3.47	1.75	2.15	2.48	2.77	3.04	3.28
	3	2.21	2.70	3.12	3.49	3.82	4.13	2.09	2.56	2.96	3.31	3.63	3.92
	4	2.96	3.63	4.19	4.68	5.13	5.54	2.81	3.44	3.97	4.44	4.86	5.25
	5	3.68	4.51	5.21	5.82	6.38	6.89	3.49	4.28	4.94	5.52	6.05	6.54
	6	4.47	5.47	6.32	7.07	7.74	8.36	4.24	5.19	5.99	6.70	7.34	7.92
	7	5.13	6.29	7.26	8.12	8.89	9.60	4.86	5.96	6.88	7.69	8.43	9.10
8	6.07	7.43	8.58	9.59	10.5	11.4	5.75	7.04	8.13	9.09	9.96	10.8	
9	6.62	8.11	9.36	10.5	11.5	12.4	6.26	7.67	8.86	10.9	10.9	11.7	

	Nominal Capacity (tons)	Evaporator Temperature (°F)											
		20°						0°					
		Pressure Drop (psi)											
		80	120	160	200	240	280	80	120	160	200	240	280
RFGF	1	0.62	0.75	0.87	0.97	1.07	1.15	0.43	0.53	0.61	0.68	0.75	0.81
	1.5	0.76	0.94	1.08	1.21	1.32	1.43	0.55	0.68	0.78	0.87	0.96	1.03
	2	1.03	1.26	1.45	1.62	1.78	1.92	0.77	0.87	1.01	1.13	1.24	1.34
	2.5	1.28	1.57	1.81	2.02	2.22	2.39	0.90	1.10	1.27	1.42	1.56	1.68
	3	1.53	1.88	2.17	2.43	2.66	2.87	1.07	1.32	1.52	1.70	1.86	2.01
	4	2.06	2.53	2.92	3.26	3.58	3.86	1.45	1.78	2.05	2.29	2.51	2.71
	5	2.57	3.15	3.64	4.07	4.46	4.82	1.81	2.22	2.56	2.86	3.14	3.39
	6	3.10	3.80	4.39	4.91	5.38	5.81	2.18	2.67	3.08	3.44	3.77	4.07
	7	3.57	4.37	5.05	5.65	6.18	6.68	2.50	3.07	3.54	3.96	4.34	4.68
8	4.21	5.15	5.95	6.65	7.29	7.87	2.95	3.61	4.17	4.66	5.11	5.50	
9	4.59	5.62	6.49	7.26	7.95	8.59	3.21	3.93	4.54	5.08	5.60	6.60	

LIQUID TEMPERATURE CORRECTION FACTORS

Refrigerant	Liquid Temperature Entering TXV (°F)												
	40°	50°	60°	70°	80°	90°	98°	100°	110°	120°	130°	140°	
	Correction Factor												
R-410A	1.45	1.37	1.30	1.22	1.14	1.06	1.00	0.98	0.90	0.81	0.72	0.62	

Ratings are in accordance with AHRI Standard 750-2016

RFGF SERIES | *Thermostatic Expansion Valve*

REFRIGERANT CAPACITY TABLES

R-22 Capacities (tons)

	Nominal Capacity (tons)	Evaporator Temperature (°F)											
		50°						40°					
		Pressure Drop (psi)											
		75	100	125	150	175	200	75	100	125	150	175	200
RFGF	1	0.92	1.06	1.19	1.30	1.40	1.50	0.87	1.00	1.12	1.22	1.32	1.41
	2	1.53	1.77	1.98	2.17	2.34	2.50	1.45	1.67	1.87	2.05	2.21	2.36
	3	2.29	2.64	2.95	3.23	3.49	3.73	2.16	2.49	2.78	3.05	3.29	3.52
	4	3.07	3.54	3.96	4.34	4.68	5.01	2.90	3.35	3.75	4.10	4.43	4.74
	5	3.82	4.41	4.93	5.40	5.83	6.24	3.60	4.16	4.65	5.09	5.50	5.88
	6	4.62	5.34	5.97	6.54	7.06	7.55	4.36	5.04	5.63	6.17	6.67	7.13

	Nominal Capacity (tons)	Evaporator Temperature (°F)											
		20°						0°					
		Pressure Drop (psi)											
		75	100	125	150	175	200	75	100	125	150	175	200
RFGF	1	0.63	0.73	0.82	0.89	0.97	1.03	0.44	0.51	0.57	0.62	0.67	0.72
	2	1.06	1.22	1.36	1.49	1.61	1.73	0.74	0.85	0.95	1.04	1.12	1.20
	3	1.58	1.82	2.03	2.23	2.41	2.57	1.10	1.27	1.42	1.56	1.68	1.80
	4	2.12	2.45	2.74	3.00	3.24	3.46	1.48	1.71	1.91	2.09	2.26	2.42
	5	2.64	3.05	3.41	3.74	4.03	4.31	1.85	2.14	2.39	2.62	2.83	3.03
	6	3.19	3.68	4.11	4.51	4.87	5.20	2.23	2.57	2.87	3.15	3.40	3.63

LIQUID TEMPERATURE CORRECTION FACTORS

Refrigerant	Liquid Temperature Entering TXV (°F)												
	40°	50°	60°	70°	80°	90°	98°	100°	110°	120°	130°	140°	
	Correction Factor												
R-22	1.33	1.27	1.22	1.16	1.10	1.05	1.00	0.98	0.93	0.87	0.81	0.74	

Ratings are in accordance with AHRI Standard 750-2016