

## Solenoid Valve

FDF2AK series solenoid valves are direct operated, normally open solenoid valves, mainly used in refrigerant control of various devices such as refrigerating and freezing systems, air conditioners and heat pumps.



### FEATURES

- COMPACT DESIGN
- LOW ENERGY CONSUMPTION
- EXCELLENT OPERATION PERFORMANCE

### GENERAL SPECIFICATIONS

- Applicable for all common HCFC, HFC refrigerants such as: R22, R134a, R404A, R407C, R410A, R507, R407A/F, R448A/R449A, R452A, R450A/R513A<sup>1)</sup>
- Medium temperature TS min./max.: -30°C / 120°C
- Ambient temperature: -30°C / +50°C
- Relative humidity: 0 to 95% RH
- Installation position:
  - Liquid, suction and discharge line
  - Coil upwards, coil axis ±15° tolerance versus vertical axis
  - Flow direction corresponds to the arrow
- Declaration according to LVD or PED

**Note:** 1) Flammable refrigerants like R32, R290 on request

### TECHNICAL PARAMETERS OF VALVE BODY

Valve Body Model	Part Number*	Normal Position	Actuation	Ø Seat [mm]	Kv [m <sup>3</sup> /h]	MOP [MPa]	Max. OPD [MPa]	Min. OPD [MPa]	Connection OD Ød	
									[mm]	[inch]
FDF 2AK 01	10120006702	NO	Direct	1,8	0,05	4,5	1,5	0	6,35 ±0,1	1/4
FDF 2AK 08	10120009702			1,9	0,08					

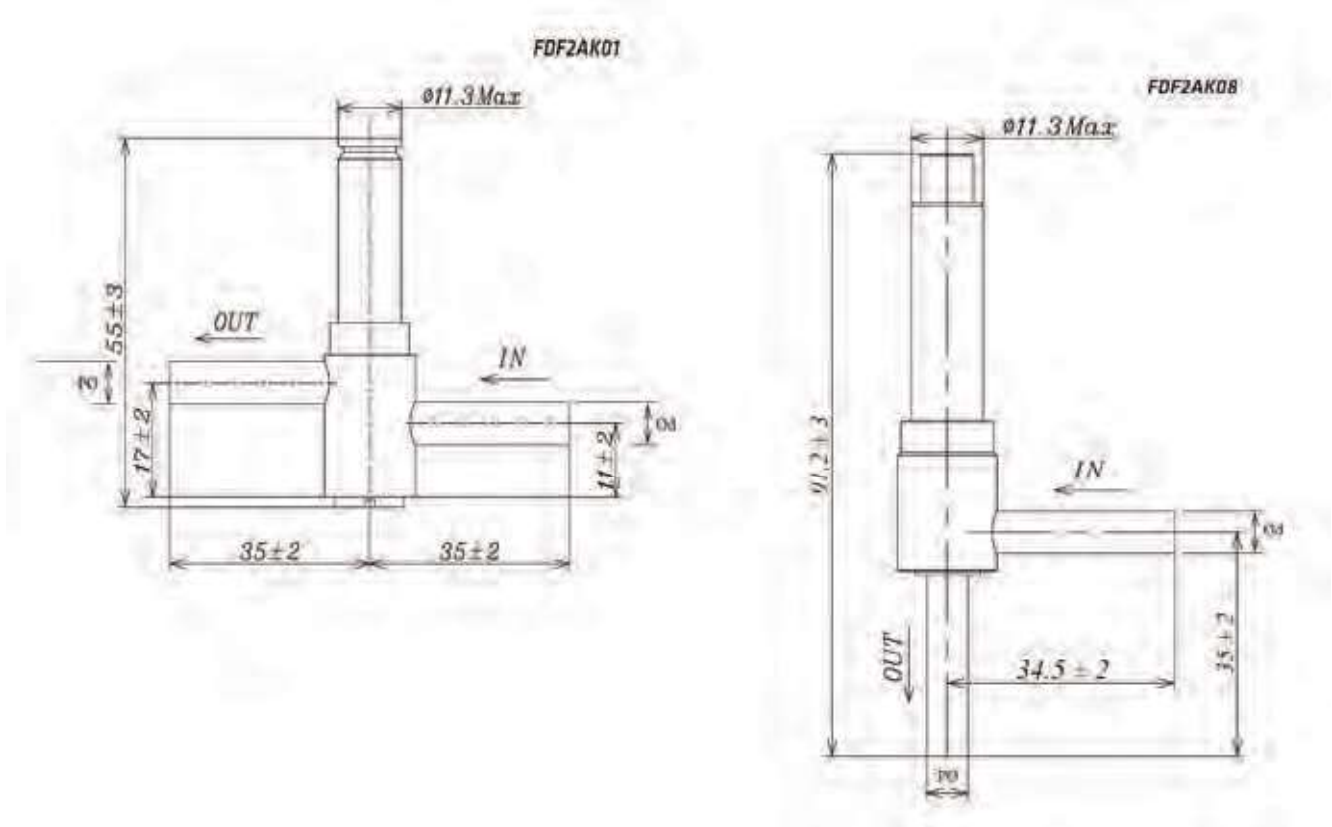
\* Available also as industrial package. Contact Sanhua for more details.

# FDF2AK (NO) SERIES

## Solenoid Valve



### DIMENSIONS - VALVE BODY



### TECNHICAL PARAMETERS OF COIL

Coil Model	Part Number*	Rated Voltage [V]	Supply	Power <sup>3)</sup> [W]	Used for	Freq. [Hz]	Voltage Tolerance	Insulation Class	Wiring type
FQ-A05024-000709	10800072302	24	AC	5 (50Hz) 4,5 (60Hz)	FDF 2AK 01 <sup>1)</sup>	50/60	-15% +10%	B	flying leads
FQ-A05120-001098	10800062002	110 to 120		5 (50Hz) 4,5 (60Hz)					
FQ-A0522G-001022	10800057302	220 to 240		5 (50Hz) 4,5 (60Hz)					
FQ-A0522G-001066	10800060102	220 to 240		6,5 (50Hz) 5 (60Hz)	FDF 2AK 08 <sup>2)</sup>				

**Note:** \* Available also as industrial package. Contact Sanhua for more details.

1) Dimensions: drawing 1

2) Dimensions: drawing 2

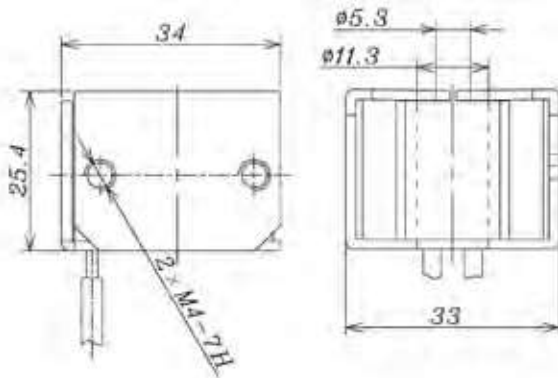
3) Power consumption based on 220V

# FDF2AK (NO) SERIES Solenoid Valve

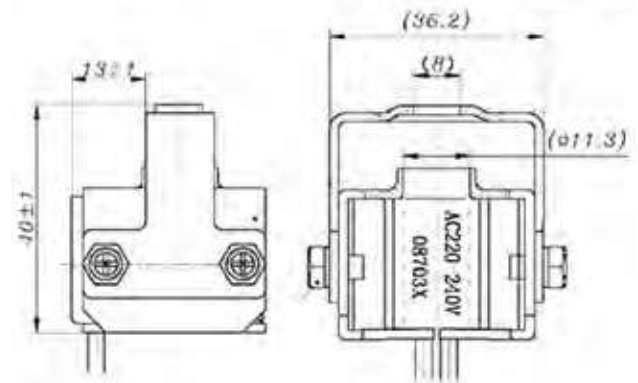


## DIMENSIONS - COIL

Drawing 1: FQ-A05024-000709, FQ-A05120-001098, FQ-A0522G-001022



Drawing 2: FQA-55007



Every 2<sup>nd</sup> home refrigerator  
in Europe is equipped

with a **SANHUA**  
solenoid valve



YEARLY SANHUA SUPPLIES OVER  
20 MILLION SOLENOID VALVES TO THE  
REFRIGERATION, HVAC AND HOME  
APPLIANCES INDUSTRIES WORLDWIDE

**ADVANCED**  
Technology & Solutions

