

SECRO3 SERIES**REFRIGERATED
CABINET CONTROLLER
SECRO3 SERIES****FEATURES**

- COMPLETE CABINET CONTROLLER INTEGRATED EEV CONTROL, CABINET TEMPERATURE CONTROL, DEFROSTING CONTROL, EVAPORATING FAN CONTROL AND OTHER FUNCTIONS
- INTERCOM FOR MULTIPLE CONTROLLERS SHARED SIGNAL
- DUAL TEMP MODE FOR MULTIPLE OPERATING CONDITIONS
- ENERGY EFFICIENT, ACHIEVING THE MOST EFFICIENT USE OF THE EVAPORATOR

GENERAL SPECIFICATIONS

- Applicable for various refrigerants
- Operating temperature: -30 ~ 55°C
- Storage temperature: -30 ~ 55°C
- Relative humidity: ≤95%RH
- Certification: CE Declaration according to EMC
- Installation method: DIN35 rail install
- Compatible with Sanhua DPF and LPF valves

ELECTRICAL PARAMETERS

- Power supply: 24Vac +10%/-15%, 50/60Hz
24Vdc+10%/-15%, Class II
- Requested transformer: >15W (24Vdc) / >25VA (24Vac)
- Connection: Pluggable terminal (M3)
Torque 0.5N.m, current ≤ 3A(220V),
Min / Max wire diameter 0.34 ~ 2.5mm²
XHP terminal (EEV and sensors)
- Communication: RS485, Remote Display, InterCom

REFRIGERATED CABINET CONTROLLER SECR03 SERIES



MODEL DESIGNATION LEGEND

NO.			Model Designation Legend
1	2	3	
SECR03	-R0		→ SANHUA electronic Expansion valve Controller
SECR03	-R0		→ Revo series refrigerated cabinet controller
SECR03	-R0		→ R0 means no display on shell and need remote display

ORDERING METHOD

All the models are compatible with the main refrigerants on the market:
 R22, R404A, R410A, R134a, R407C, R507, R1234ze, R1234yf, R290, R450A,
 R513A, R448A, R449A, R452A, R744(CO2), R744(N2O), R32, R245fa, R23,
 R407A, R407F, R124, R717, R407H, R454C, R455A.

Model	Part Number	Details
SECR03-R0	10680001902	Cabinet controller
MD01-R4	10680002002	Remote display
YCQB02H01	10185001502	0-20bar, 0.5-3.5V, 1/4" soldering, 2m cable
YCQB02H18	10185015402	0-20bar, 0.5-3.5V, 1/4" soldering, 4.9m cable
YCQB02L12	10185015502	0-20bar, 0.5-3.5V, Thread: SAE-1/4" 7/16-20UNF-2B, 2m cable
YCQB02L28	10185015602	0-20bar, 0.5-3.5V, Thread: SAE-1/4" 7/16-20UNF-2B, 4.9m cable
NTC2A1	10665000102	Temperature Sensor (NTC 5 KΩ), 2m cable
NTC5A1	10665000202	Temperature Sensor (NTC 5 KΩ), 5m cable
NTC9A1	10665000402	Temperature Sensor (NTC 5 KΩ), 9m cable

Note: The temperature & pressure sensors should be ordered separately.
 Other pressures transmitters are available on the YCQ datasheet.



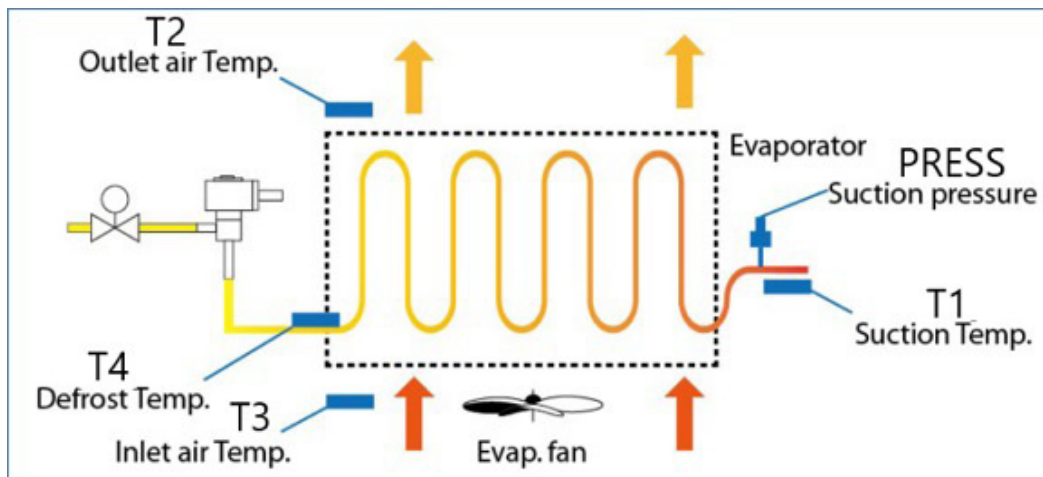
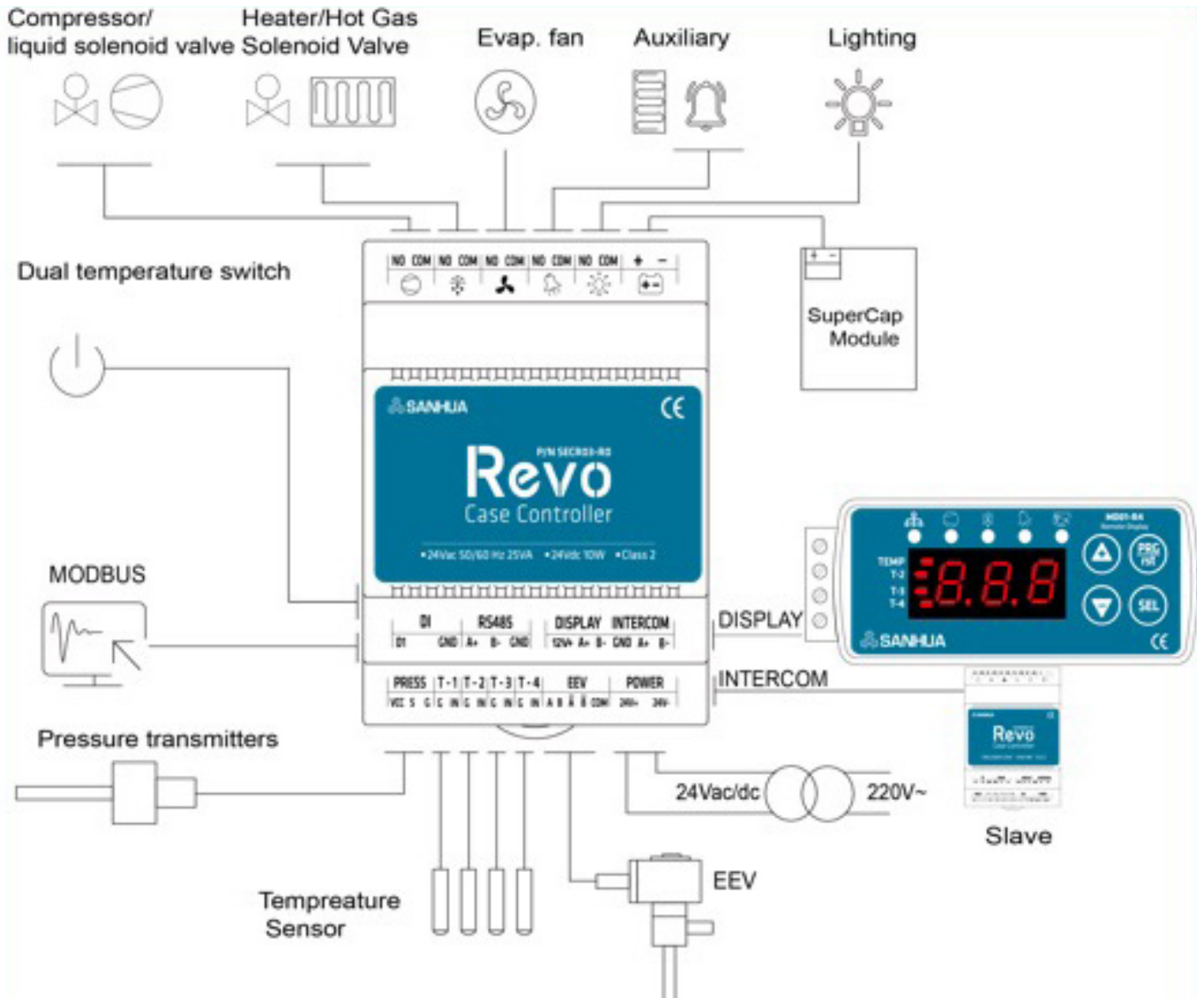
SENSOR INFORMATION

Items	Description	
Temperature sensor	Sensor type	NTC 5KΩ
	Cable specification	2 / 5 or 9 m × 0.5mm ²
	Protection level	IP 67
	Accuracy	±0.3°C (at 25°C)
	Operating temperature range	-55 ~ 85°C
Pressure Transmitter	Power Supply	YCQB: (5±0.25) V DC
	Output signal	YCQB: (0.5 ~ 3.5) VDC
	Pressure range accuracy	±2.0% F.S. (-30°C/+85 °C)
	Protection level	IP 67
	Connection	Soldering: 1/4" or Thread: 1/4"SAE 7/16-20UNF

REFRIGERATED CABINET CONTROLLER SECR03 SERIES

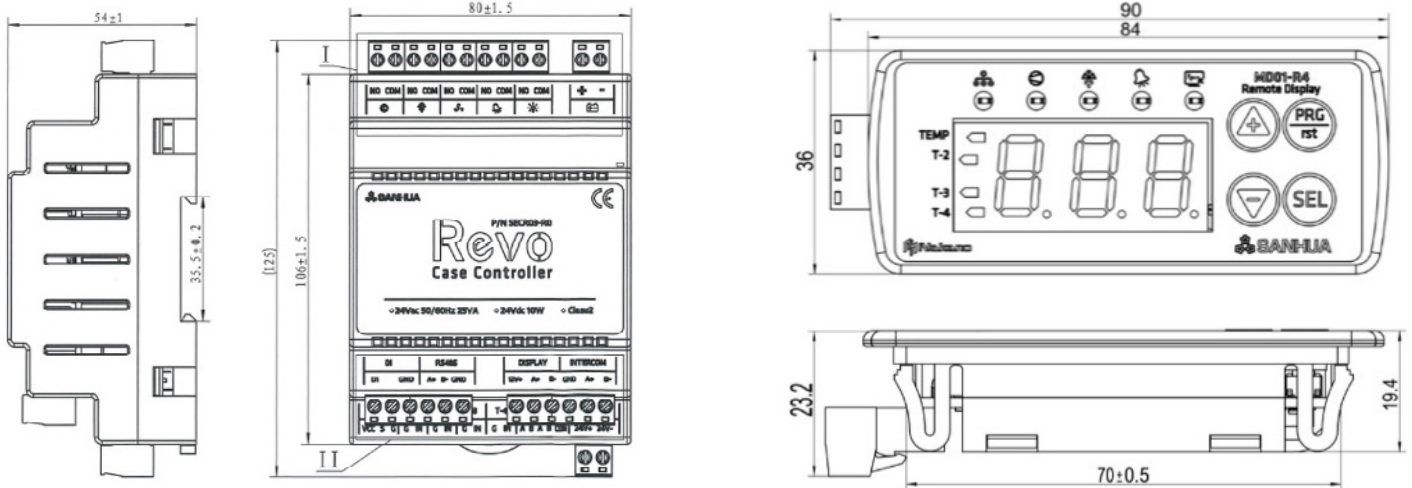


INSTALLATION





DIMENSIONS



ACCESSORIES

Transformer

Item	Description	
Transformer	Supply Voltage	100 ~ 240 VAC
	Output Voltage	From 21.6 to 29V, Set at 24 VDC
	Output current	0.63 A for TM01 1.5 A for TM02
	Operating Temperature	-30 ~ +70°C
	Mounting	DIN 35mm

TM01

TM02

Model	Part number	Output current
TM01	20680008002	0.63 A
TM02	20680008102	1.5 A



ULTRACAPACITOR

Item	Description	
Model	SP01	
Dimension	80 (W)mm x 106 (H)mm x 54(D)mm	
Voltage input	24Vac, +10%/-15%, 50/60HZ 24Vdc, +10%/-15%	
Voltage output	22.5~23.5V at Charging (24Vdc input), 14~16V at discharging	
Discharging time	≥25s(Load current400mA)	
Rated power	Max 8w(24Vdc)or 26VA(24Vac)	
Operation	-30□+55°C, ≤95%RH(Non-condensing)	
Storage	30□+55°C, ≤95%RH(Non-condensing)	

Model	Part number
SP01	206800083