



SYJ SERIES

SIGHT GLASS

(Standard range: for fluids GROUP 2 according to Directive 2014/68/EU or GROUP A1 according to ANSI-ASHRAE 34-2016)
Sight glasses are installed after the filter drier in liquid line of refrigerating systems, in order to observe property changes of the refrigerant (liquid/vapor) and to indicate the moisture level by colors.



FEATURES

- HIGH PRECISION COLOR INDICATOR
- INDICATOR PASTED CLOSELY TO THE GLASS TO PREVENT SURFACE CONTAMINATION
- SOLID AND CORROSION RESISTANT BRASS MATERIAL
- GOOD READABILITY DUE TO HIGH CLEAR SIGHT GLASS OF WIDE ANGLE
- SEALING OF LOW CREEP PTFE TO ENSURE LEAKAGE FREE PERFORMANCE
- NEW ANNULAR HUMIDITY COLOR INDICATOR. FULL PORT PASSAGE WITH LOW PRESSURE DROP

GENERAL SPECIFICATION

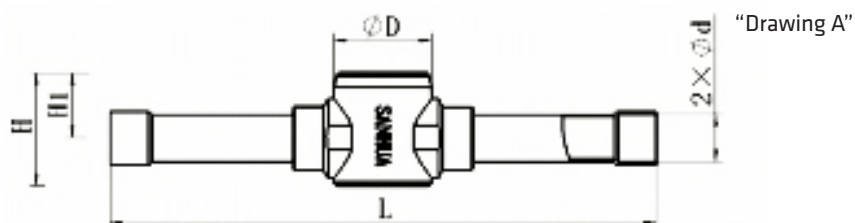
- Applicable for all common HCFC, HFC, HFO refrigerants such as: R22, R134a, R404A, R410A, R507, R407C, R407A/F, R448A/R449A, R452A, R450A/R513A
- Ambient temperature min./max.: -50°C / +80°C
- Medium temperature TS min./max.: -50°C / +80°C
- Max. operating pressure PS: 4,6 MPa (46 bar)
- Installation position:
 - Liquid and suction line
 - Preferably in vertical lines, recommended position for horizontal lines is upwards without inclination in any direction
- Declaration according to PED (all products have been covered by Art.4.3 PED Directive 2014/68/EU)



Version with Solder Connections

General Characteristics										
Model Series	Model Name	Part Number (multi package) ¹⁾	Connection Type	Connecting ODF		Dimensions & Weight				
				Ød		L	H	H1	Weight	Drawing
				[inch]	[mm]	[mm]	[mm]	[mm]	[g]	
SYJ6	SYJ06H12	10285007102	ODF x ODF solder	-	6	101	24	14	100	A
SYJ6	SYJ06H11	10285007002		1/4	-	101	24	14	100	
SYJ10	SYJ10H11	10285007202		3/8	-	119	24	14	100	
SYJ10	SYJ10H12	10285007302		-	10	119	24	14	100	
SYJ12	SYJ12H11	10285006902		1/2	-	146	30	17	200	
SYJ12	SYJ12H12	10285007402		-	12	146	30	17	200	
SYJ16	SYJ16H11	10285007502		5/8	16	146	30	17	200	
SYJ19	SYJ19H11	10285007602		3/4	-	173	37	21	300	
SYJ22	SYJ22H11	10285007702		7/8	22	173	37	21	300	

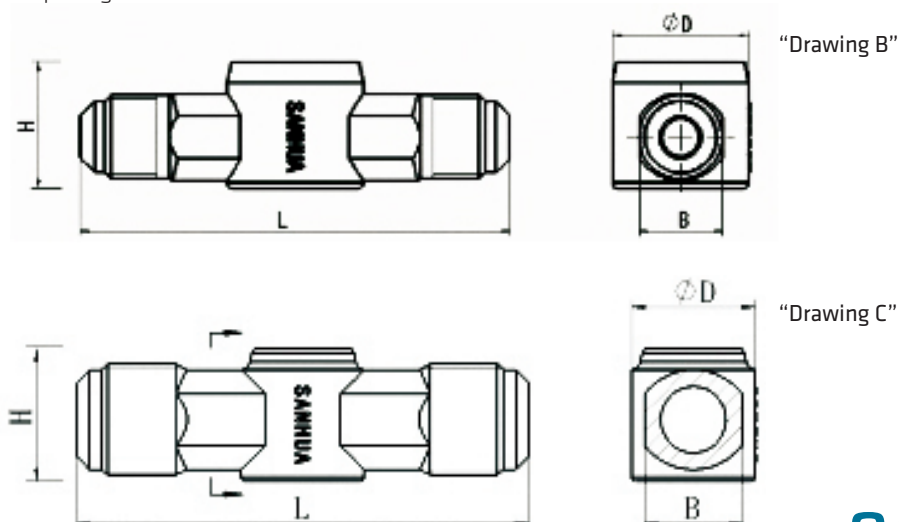
Note: 1) Available also as industrial package. Contact Sanhua for more details.



Version with male/male Flare Connections

General Characteristics										
Model Series	Model Name	Part Number (multi package) ¹⁾	Connection Type	SAE Flare	Dimensions & Weight					
				Ød	L	H	H1	Weight	Drawing	
				[inch]	[mm]	[mm]	[mm]	[g]		
SYJ6	SYJ06L11	10285007902	Flare M x M	1/4	67	24	14	110	B	
SYJ10	SYJ10L11	10285008102		3/8	82	24	14	240		
SYJ12	SYJ12L11	10285008302		1/2	88	30	17	250		
SYJ16	SYJ16L11	10285008502		5/8	104	32	17	320		
SYJ19	SYJ19L11	10285008702		3/4	110	32	15	340	C	

Note: 1) Available also as industrial package. Contact Sanhua for more details.

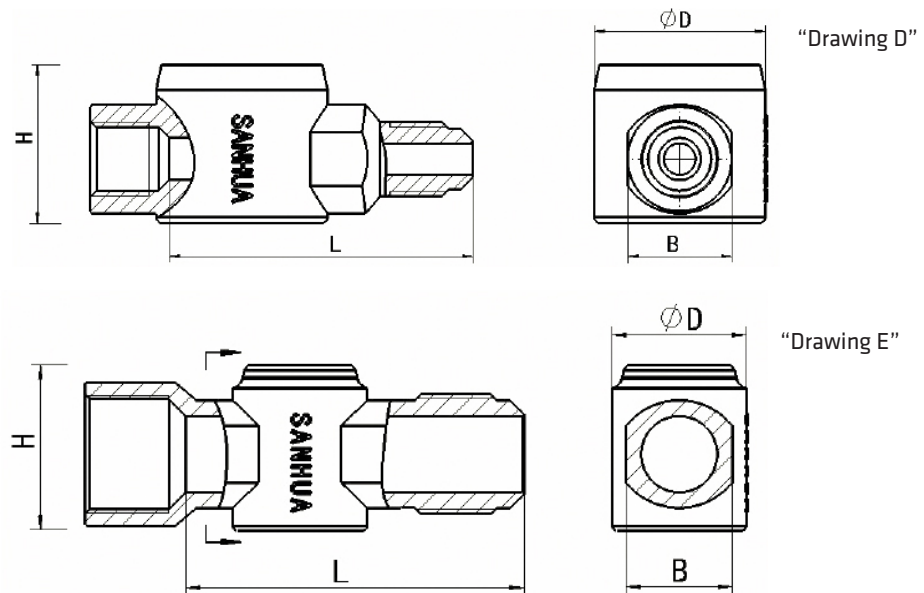




Version with male/female Flare connections

General Characteristics									
Model Series	Model Name	Part Number (multi package) ¹⁾	Connection Type	SAE Flare	Dimensions & Weight				
				Ød	H	φD	B	Weight	Drawing
				[inch]	[mm]	[mm]	[mm]	[g]	
SYJ6	SYJ06L41	10285008002	Flare F x M	1/4	30	32	22	200	D
SYJ10	SYJ10L41	10285008202		3/8	30	32	22	240	
SYJ12	SYJ12L41	10285008402		1/2	32	30	24	250	
SYJ16	SYJ16L41	10285008602		5/8	37	30	24	320	E
SYJ19	SYJ19L41	10285008802		3/4	37	30	24	330	

Note: 1) Available also as industrial package. Contact Sanhua for more details.





Moisture Indication Limits

Refrigerant	Moisture Content 25°C: PPM		
	Green/Dry	Middle Color	Yellow/Wet
R22	<100	100~200	>200
R134a	<90	90~180	>180
R404A	<40	40~100	>100
R410A	<90	90~300	>300
R507A	<15	15~90	>90
R407C	<120	120~280	>280
R407A	<180	180~340	>340
R448A	<220	220~440	>440
R449A	<180	180~380	>380
R452A ¹⁾	<50	50~120	>120
R450A ¹⁾	<45	45~260	>260
R513A	<180	180~280	>280

Note: 1) Calculated data based on refrigerant properties

Refrigerant	Moisture Content 40°C: PPM		
	Green/Dry	Middle Color	Yellow/Wet
R22	<140	140~350	>350
R134a	<120	120~330	>335
R404A	<80	80~160	>160
R410A	<200	200~580	>580
R507A	<80	80~170	>170
R407C	<100	100~260	>260
R407A	<200	200~560	>560
R448A	<220	220~480	>480
R449A	<200	200~450	>450
R452A ¹⁾	<90	90~170	>170
R450A ¹⁾	<110	110~420	>420
R513A	<200	200~380	>380

Note: 1) Calculated data based on refrigerant properties

For complete product family information please visit us at www.sanhuaeurope.com and download the full range of datasheet at TECHNICAL INFORMATION LINK.



SYJ SERIES

SIGHT GLASS

(GreenTech range: for fluids GROUP 1 according to Directive 2014/68/EU or GROUP A3/A2L according to ANSI-ASHRAE 34-2016)

Sight glasses are installed after the filter drier in liquid line of refrigerating systems, in order to observe property changes of the refrigerant (liquid/vapor) and to indicate the moisture level by colors.



FEATURES

- HIGH PRECISION COLOR INDICATOR
- INDICATOR PASTED CLOSELY TO THE GLASS TO PREVENT SURFACE CONTAMINATION
- SOLID AND CORROSION RESISTANT BRASS MATERIAL
- GOOD READABILITY DUE TO HIGH CLEAR SIGHT GLASS OF WIDE ANGLE
- SEALING OF LOW CREEP PTFE TO ENSURE LEAKAGE FREE PERFORMANCE
- NEW ANNULAR HUMIDITY COLOR INDICATOR. FULL PORT PASSAGE WITH LOW PRESSURE DROP

GENERAL SPECIFICATION

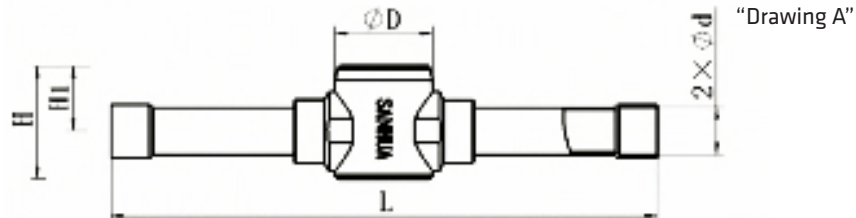
- Applicable for HC, HFC/HFO, HFO refrigerants such as: R290, R1234ze(E), R1234yf, R447A, R452B, R454B, R454C
- Ambient temperature min./max.: -50°C / +80°C
- Medium temperature TS min./max.: -50°C / +80°C
- Max. operating pressure PS: 4,6 MPa (46 bar)
- Installation position:
 - Liquid and suction line
 - Preferably in vertical lines, recommended position for horizontal lines is upwards without inclination in any direction
- Declaration according to PED (all products have been covered by Art.4.3 PED Directive 2014/68/EU)



GreenTech range: version with Solder Connections, MOP 46 bar

General Characteristics											
Model Series	Model Name	Part Number (multi package) ¹⁾	Connection Type	Connecting ODF		Dimensions & Weight					Drawing
				Ød		L	H	H1	Weight		
				[inch]	[mm]	[mm]	[mm]	[mm]	[g]		
SYJ6	SYJ06H12	10285007102	ODF x ODF solder	-	6	101	24	14	100	A	
SYJ6	SYJ06H11	10285007002		1/4	-	101	24	14	100		
SYJ10	SYJ10H11	10285007202		3/8	-	119	24	14	100		
SYJ10	SYJ10H12	10285007302		-	10	119	24	14	100		
SYJ12	SYJ12H11	10285006902		1/2	-	146	30	17	200		
SYJ12	SYJ12H12	10285007402		-	12	146	30	17	200		
SYJ16	SYJ16H11	10285007502		5/8	16	146	30	17	200		
SYJ19	SYJ19H11	10285007602		3/4	-	173	37	21	300		
SYJ22	SYJ22H11	10285007702		7/8	22	173	37	21	300		

Note: 1) Available also as industrial package. Contact Sanhua for more details.



Refrigerant	Moisture Content 25°C: PPM		
	Green/Dry	Middle Color	Yellow/Wet
R290	<120	120~220	>220
R1234ze(E)	<120	120~200	>200
R1234yf	<100	100~180	>180
R452B ¹⁾	<95	95~290	>290
R454B ¹⁾	<115	115~290	>290
R454C ¹⁾	<75	75~160	>160

Refrigerant	Moisture Content 40°C: PPM		
	Green/Dry	Middle Color	Yellow/Wet
R290	<200	200~320	>320
R1234ze(E)	<140	140~260	>260
R1234yf	<180	180~300	>300
R452B ¹⁾	<210	210~330	>330
R454B ¹⁾	<150	150~340	>340
R454C ¹⁾	<85	85~2240	>240

Note: 1) Calculated data based on refrigerant properties

For complete product family information please visit us at www.sanhuaeurope.com and download the full range of datasheet at TECHNICAL INFORMATION LINK.