

SANHUA ZJF SERIES

Receiver Valve



Receiver valve are used for tube connection or compressor and reservoirs of commercial air conditioner, freezing or deep-freezing equipment. Inner path of the valve can be closed or opened by operating the valve stem.



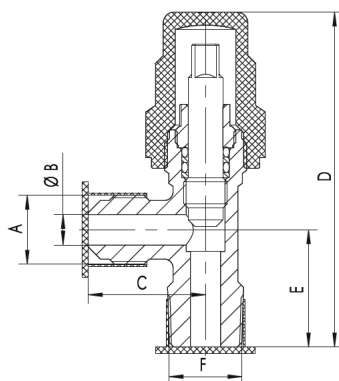
FEATURES

- COST EFFECTIVE: OPTIMAL DESIGN BASED ON PERFORMANCE
- GOOD APPEARANCE AND ENDURABLE: THE VALVE BODY TREATED WITH SHOT BLAST.
- WELL SEALING PERFORMANCE: WITH PARTICULAR SEALING STRUCTURE AND DESIGN

GENERAL SPECIFICATIONS

- Applicable refrigerant: R22, R134a, R407C, R410A
- Applicable medium temperature: -40°C ~ +120°C
- Maximum working pressure: 4.83 MPa
- Certification: UL

DIMENSIONS



Model	A in	Dimensions mm				F in
		B	C	D	E	
ZJF-A22	7/16-20UNF	4.8	23.5	74	23.5	NPT 1/4
ZJF-A23	7/16-20UNF	4.8	27	77	27	NPT 3/8
ZJF-A33	5/8-18UNF	7	27	77	27	NPT 3/8
ZJF-A32	5/8-18UNF	7	27	77	27	NPT 1/4
ZJF-A34	5/8-18UNF	7	32	114	37	NPT 1/2
ZJF-A44	3/4-16UNF	10	36	114	37	NPT 1/2
ZJF-A43	3/4-16UNF	10	36	114	37	NPT 3/8
ZJF-A54	7/8-14UNF	12.5	36	114	37	NPT 1/2
ZJF-A66	1 1/16-14UNS	16	42	122	43	NPT 3/4
ZJF-A76	1 1/4-12UNF	20	48	122	43	NPT 3/4

