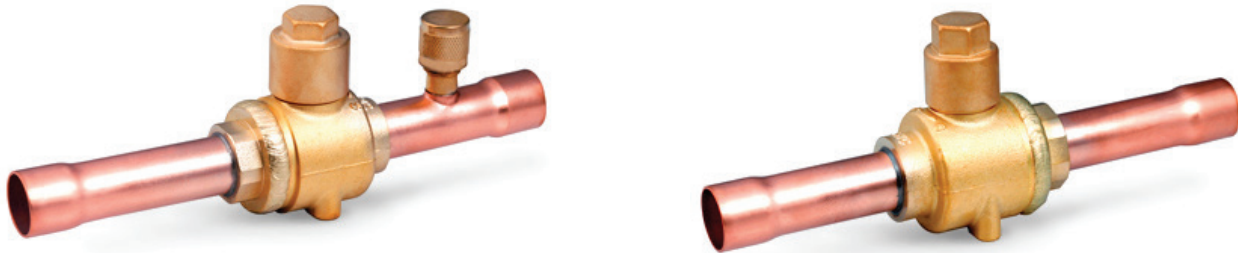


## SBV SERIES | *Ball Valve*



The SBV series ball valve applicable for air conditioning or refrigeration systems requiring a means to shut off refrigerant flow in a circuit. The valve allows a refrigerant charge in a system to be isolated. The valve can also be used for system evacuation or refrigerant charging.

### FEATURES

- FULL PORT, LOW PRESSURE DROP
- LOW INTERNAL SEAT LEAKAGE
- BRASS BODY WITH WELDED CONSTRUCTION
- ROTATE VALVE STEM 1/4 TURN FROM FULL-OPEN TO FULL-CLOSE
- BI-DIRECTIONAL FLOW
- ROTATION STOP ON REQUEST FOR FULL-OPEN AND FULL-CLOSE OF THE VALVE

### GENERAL SPECIFICATION

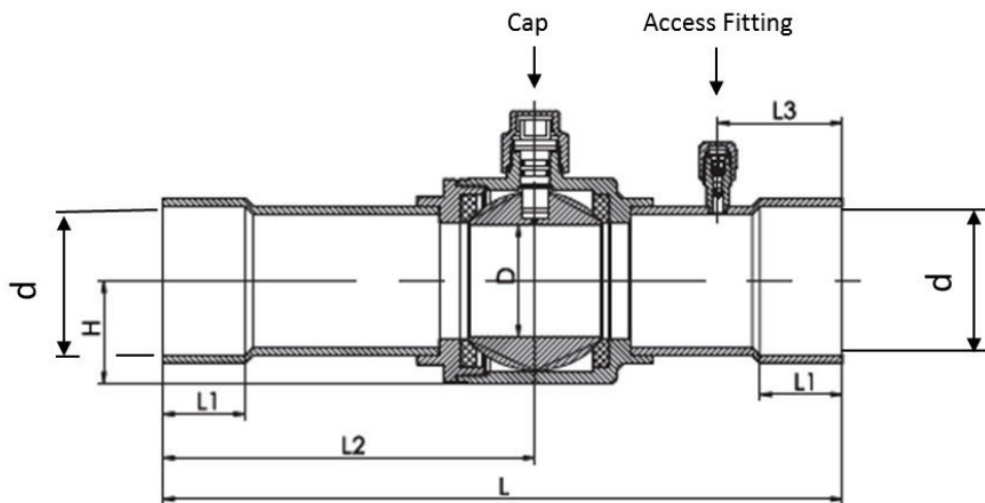
- Applicable for all common HCFC and HFC refrigerants such as: R-22, R-134a, R-404A, R-407C, R-410A, R-507
- Applicable ambient temperatures: -40°F to +250°F
- Maximum operating pressure: 650 psig
- Installation Position: liquid, suction and discharge line in any position
- Certifications: UL/CSA

## SBV SERIES | Ball Valve

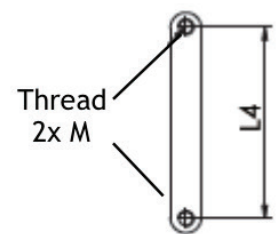
### ACCESS FITTING (WITHOUT AND WITH)

Without Access Fitting		Connections Ød ODF (in)	Cv	Wrench Size Cap (mm)	With Access Fitting	
Model	Product Number				Model	Product Number
SBV(M)-A2YHSY-1-S	SBV-13002	1/4	1.76	14	SBV(M)-JA2YHSY-1-S	SBV-13020
SBV(M)-A3YHSY-2-S	SBV-13037	3/8	4.35	14	SBV(M)-JA3YHSY-1-S	SBV-13039
SBV(M)-A4YHSY-1-S	SBV-13005	1/2	7.74	14	SBV(M)-JA4YHSY-1-S	SBV-13023
SBV(M)-A5YHSY-1-S	SBV-13007	5/8	9.02	14	SBV(M)-JA5YHSY-1-S	SBV-13025
SBV(M)-A6YHSY-1-S	SBV-13009	3/4	14.6	17	SBV(M)-JA6YHSY-1-S	SBV-13027
SBV(M)-A7YHSY-1-S	SBV-13010	7/8	18.9	17	SBV(M)-JA7YHSY-1-S	SBV-13028
SBV(M)-A9YHSY-1-S	SBV-13012	1-1/8	34.9	17	SBV(M)-JA9YHSY-1-S	SBV-13030
SBV(M)-A11YHSY-1-S	SBV-13013	1-3/8	54.0	17	SBV(M)-JA11YHSY-1-S	SBV-13031
SBV(M)-A13YHSY-2-S	SBV-13038	1-5/8	77.6	17	SBV(M)-JA13YHSY-2-S	SBV-13040
SBV(M)-A17YHSY-1-S	SBV-13015	2-1/8	174.8	19	SBV(M)-JA17YHSY-1-S	SBV-13033
SBV(M)-A21YHSY-2-S	SBV-13017	2-5/8	295.7	19	SBV(M)-JA21YHSY-2-S	SBV-13035
SBV(M)-A25YHSY-2-S	SBV-13018	3-1/8	362	24	SBV(M)-JA25YHSY-2-S	SBV-13036
SBV(M)-A29YHSY-1-S	SBV-13041	3-5/8	479	26	SBV(M)-JA29YHSY-1-S	SBV-13043
SBV(M)-A33YHSY-2-S	SBV-13046	4-1/8	750	32	SBV(M)-JA33YHSY-2-S	SBV-13045
SBV(M)-A34YHSY-1-S	SBV-13042	4-1/4	750	32	SBV(M)-JA34YHSY-1-S	SBV-13044

Note: SBV model with connection size 3-1/2" available on request



### Valve Fixation (Bottom Side)



## SBV SERIES | *Ball Valve*

### VERSION WITH MALE/FEMALE FLARE CONNECTIONS

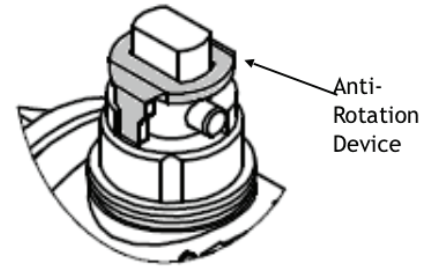
Product Number		Dimensions and Weight (in/lb)								
Without Access Fitting	With Access Fitting	L	L1	L2	L3 <sup>1</sup>	L4	D	H	M (mm)	Weight
SBV-13002	SBV-13020	5.20	0.31	2.68	1.22	0.87	0.55	0.63	M4 x 0.7	0.62
SBV-13037	SBV-13039	5.20	0.31	2.68	1.22	0.87	0.55	0.63	M4 x 0.7	0.64
SBV-13005	SBV-13023	6.30	0.39	3.35	1.22	0.87	0.55	0.63	M4 x 0.7	0.66
SBV-13007	SBV-13025	6.30	0.47	3.35	1.22	0.87	0.55	0.63	M4 x 0.7	0.66
SBV-13009	SBV-13027	7.28	0.55	3.90	1.46	1.18	0.75	0.79	M4 x 0.7	1.12
SBV-13010	SBV-13028	7.28	0.67	3.90	1.46	1.18	0.75	0.79	M4 x 0.7	1.15
SBV-13012	SBV-13030	8.19	0.79	4.41	1.73	1.50	0.98	0.98	M4 x 0.7	1.61
SBV-13013	SBV-13031	9.88	0.98	5.35	1.73	1.89	1.26	1.22	M6 x 1.0	3.13
SBV-13038	SBV-13040	11.1	1.14	5.94	2.20	2.17	1.50	1.38	M6 x 1.0	4.19
SBV-13015	SBV-13033	12.0	1.34	6.57	2.20	2.91	1.97	1.81	M6 x 1.0	8.25
SBV-13017	SBV-13035	12.0	1.46	6.57	2.20	2.91	2.36	2.20	M6 x 1.0	13.4
SBV-13018	SBV-13036	14.9	1.65	7.33	3.15	3.54	2.76	2.48	M6 x 1.0	19.4
SBV-13041	SBV-13043	16.6	1.65	8.17	2.95	4.25	3.15	2.95	M6 x 1.0	25.0
SBV-13046	SBV-13045	16.7	1.65	8.27	2.95	5.83	3.74	3.58	M6 x 1.0	44.0
SBV-13042	SBV-13044	16.7	1.65	8.27	2.95	5.83	3.74	3.58	M6 x 1.0	44.0

Note: Applicable to versions with access fitting

## SBV SERIES | *Ball Valve*

### BALL VALVES INTREGRATED ANTI-ROTATION DEVICE

The steel ring placed on the stem under the cover cap prevents the accidental rotation of the ball during the system operation.



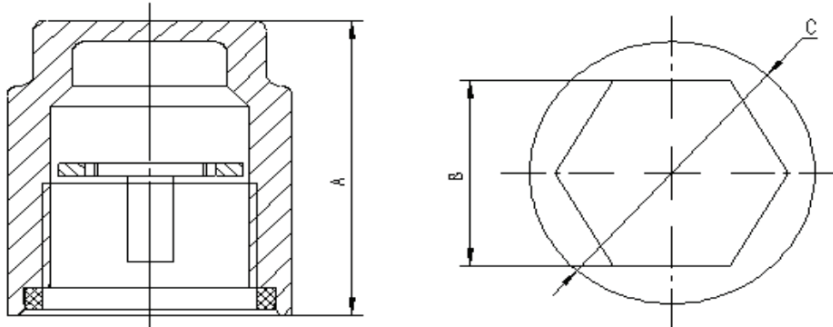
Without Access Fitting		Connections Ød ODF (in)	Cv	Wrench Size Cap (mm)	With Access Fitting	
Model	Product Number				Model	Product Number
SBV(M)-A9YHSY-9-S	SBV-13055	1-1/8	59.5	17	SBV(M)-JA9YHSY-9-S	SBV-13063
SBV(M)-A11YHSY-9-S	SBV-13056	1-3/8	92.5	17	SBV(M)-JA11YHSY-9-S	SBV-13064
SBV(M)-A13YHSY-9-S	SBV-13057	1-5/8	138	17	SBV(M)-JA13YHSY-9-S	SBV-13065
SBV(M)-A17YHSY-9-S	SBV-13058	2-1/8	260	19	SBV(M)-JA17YHSY-9-S	SBV-13066
SBV(M)-A21YHSY-9-S	SBV-13059	2-5/8	353	19	SBV(M)-JA21YHSY-9-S	SBV-13067
SBV(M)-A25YHSY-9-S	SBV-13060	3-1/8	734	24	SBV(M)-JA25YHSY-9-S	SBV-13068
SBV(M)-A92YHSY-9-S	SBV-13061	3-5/8	931	26	SBV(M)-JA29YHSY-9-S	SBV-13069
SBV(M)-A33YHSY-10-S	SBV-13050	4-1/8	1100	32	SBV(M)-JA33YHSY-10-S	SBV-13054
SBV(M)-A34YHSY-9-S	SBV-13062	4-1/4	1100	32	SBV(M)-JA34YHSY-9-S	SBV-13070

Product Number		Dimensions and Weight (in/lb)								
Without Access Fitting	With Access Fitting	L	L1	L2	L3 <sup>1</sup>	L4	D	H	M (mm)	Weight
SBV-13074	SBV-13051	8.19	0.79	4.41	1.73	1.50	0.98	0.98	M4 x 0.7	1.61
SBV-13055	SBV-13063	8.19	0.79	4.41	1.73	1.50	0.98	0.98	M4 x 0.7	1.61
SBV-13056	SBV-13064	9.88	0.98	5.35	1.73	1.89	1.26	1.22	M6 x 1.0	3.13
SBV-13057	SBV-13065	11.1	1.14	5.94	2.20	2.17	1.50	1.38	M6 x 1.0	4.19
SBV-13048	SBV-13052	11.1	1.14	5.94	2.20	2.17	1.50	1.38	M6 x 1.0	4.19
SBV-13058	SBV-13066	12.0	1.34	6.57	2.20	2.91	1.97	1.81	M6 x 1.0	8.25
SBV-13049	SBV-13053	12.0	1.34	6.57	2.76	2.91	1.97	1.81	M6 x 1.0	8.36
SBV-13059	SBV-13067	12.0	1.46	6.57	2.20	2.91	2.36	2.20	M6 x 1.0	13.4
SBV-13060	SBV-13068	14.9	1.65	7.33	3.15	3.54	2.76	2.48	M6 x 1.0	19.4
SBV-13061	SBV-13069	16.6	1.65	8.17	2.95	4.25	3.15	2.95	M6 x 1.0	25.0
SBV-13050	SBV-13054	16.7	1.65	8.27	2.95	5.83	3.74	3.58	M6 x 1.0	44.0
SBV-13062	SBV-13070	16.7	1.65	8.27	2.95	5.83	3.74	3.58	M6 x 1.0	44.0

Note: Applicable to versions with access fitting - SBV(M) - JA series

## SBV SERIES | *Ball Valve*

### ACCESSORIES



Anti-Rotation Device						
Model	Product Number	Applicable for SBV models with:	Cap Nut	Dimensions (in)		
		Connections (in)		A	B	C
SK01	SBV-13101	1-1/8, 1-3/8	M18x1-6H	1.06	0.67	0.94
SK02	SBV-13102	1-5/8	M22x1-6H	1.08	0.67	1.02
SK03	SBV-13103	2-1/8, 2-5/8	M22x1-6H	1.08	0.75	1.10
SK04	SBV-13104	3-1/8, 3-5/8	M26x1-6H	1.16	0.94	1.26
SK05	SBV-13105	4-1/8, 4-1/4	M32x1-6H	1.26	1.14	1.50



File No.: SA12770