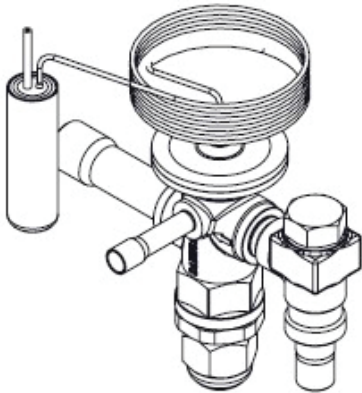
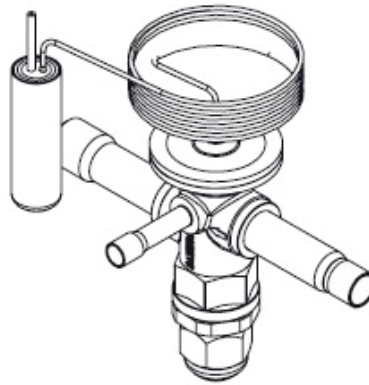


RFGK SERIES | *Thermostatic Expansion Valve*

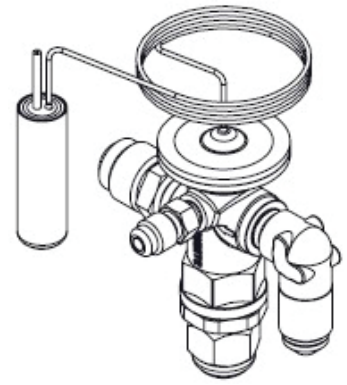
RFGK series thermostatic expansion valves are used to regulate refrigerant flow into the evaporator while controlling the refrigerant's superheat at the outlet of the evaporator. They are designed in three different connection configurations: Removable Inlet Strainer, ODF Solder, and SAE Flare.



Removable Strainer



ODF Solder



SAE Flare

FEATURES

- FORGED BRASS BODY
- DOUBLE DIAPHRAGM POWER ELEMENT TO MEET AND EXCEED ENDURANCE REQUIREMENTS
- BALANCED PORT DESIGN TO ADDRESS THE INFLUENCE OF PRESSURE CHANGES IN THE SYSTEM
- STAINLESS STEEL POWER ELEMENT, CAPILLARY TUBE AND BULB
- LASER WELDED POWER ELEMENT

GENERAL SPECIFICATION

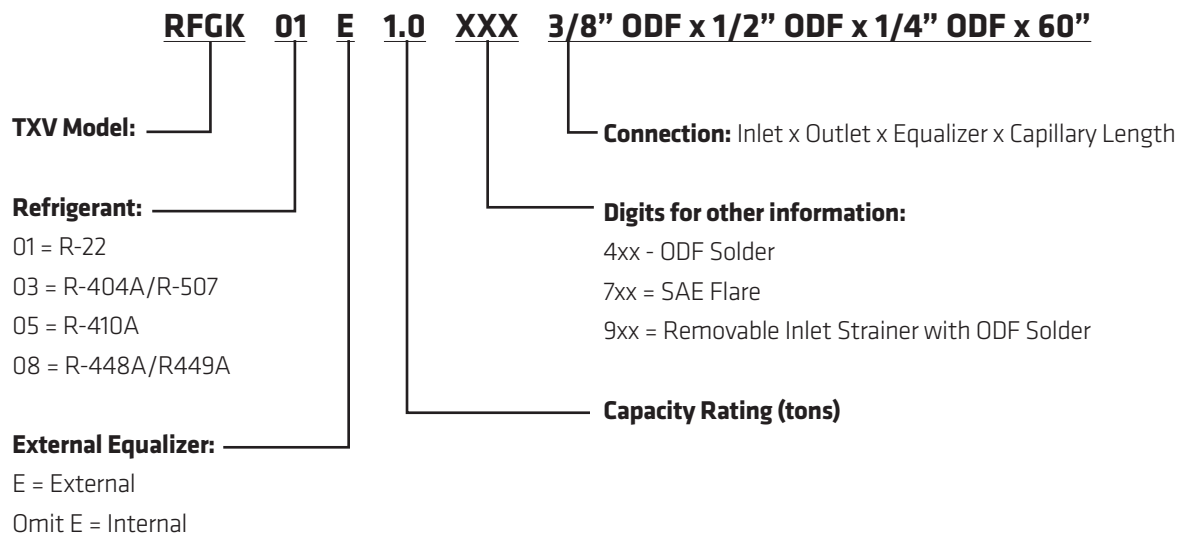
- Applicable refrigerants:
R-22, R-404A, R-410A, R-507, R-448A, R-449A
- Maximum operating pressure:
 - R-410A: 670 psig
 - R-22, R-404A, R-507, R-448A, R-449A: 500 psig
- Certifications: UL/CSA and PED declaration

RFGK SERIES | *Thermostatic Expansion Valve*

TECHNICAL PARAMETERS

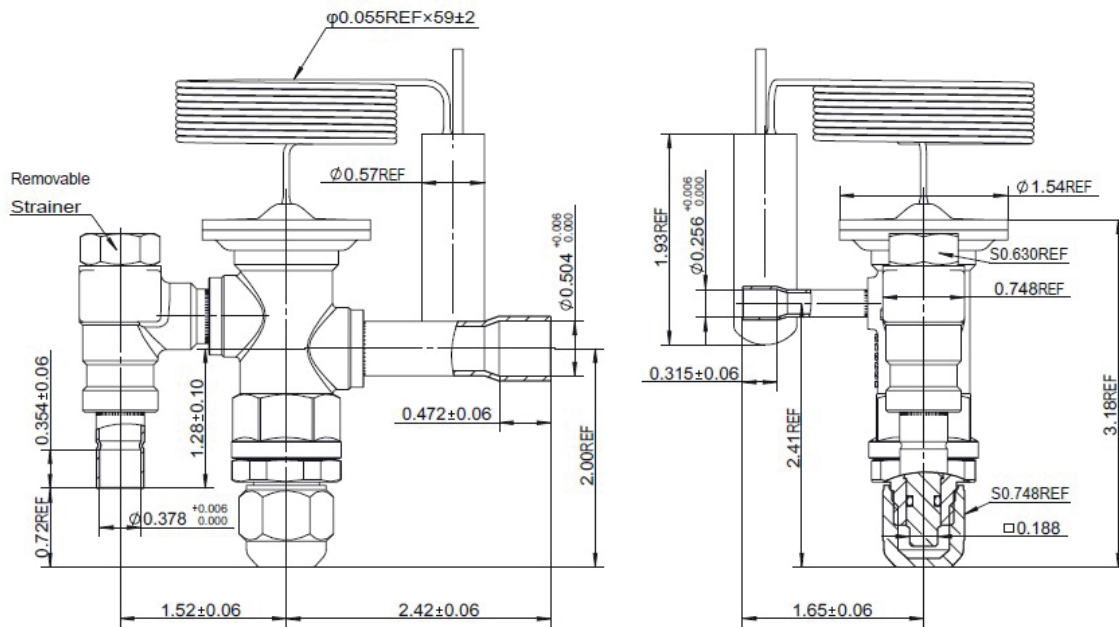
- RFGK valves available in 3 configurations:
 - Angle (Removable Inlet Strainer w/ ODF solder)
 - Angle (SAE Flare Elbow Inlet)
 - Straight through (ODF solder)
- Adjustable superheat or fixed superheat
- Connection types:
 - SAE Flare: Inlet: 1/4" SAE Flare, 3/8" SAE Flare
Outlet: 1/2" SAE Flare
Ext. Equalizer: 1/4" SAE Flare
 - Solder: Inlet: 1/4" ODF, 3/8" ODF, 1/2" ODF & 5/8" ODF
Outlet: 1/2" ODF, 5/8" ODF & 7/8" ODF
Ext. Equalizer: 1/4" ODF
- Capillary tube length: 60" (1500mm)
- Temperature range:
 - A/C: -22°F to 50°F; with 60°F MOP
 - Medium & Low Temp. Refrigeration: -40°F to 50°F; without MOP
 - Low Temp. Refrigeration: -40°F to 5°F; with 14°F MOP

MODEL DESIGNATION



RFGK SERIES | Thermostatic Expansion Valve

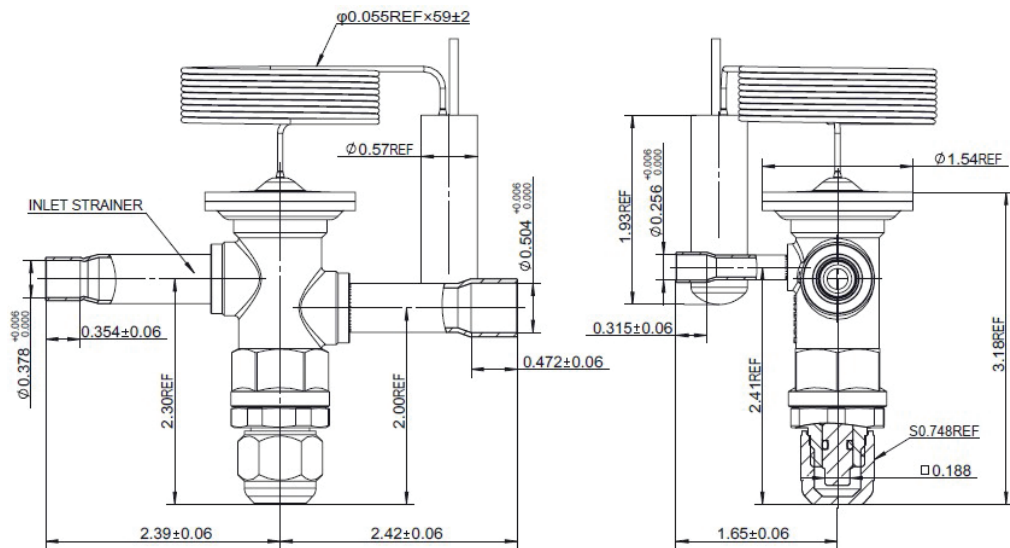
TECHNICAL DATA



Ref.	Model Name	Nominal Capacity (tons)	Connections, SAE Flare (inch)			Capillary Tube Length (inch)	MOP (Thermostatic Charge)
			Inlet	Outlet	Equalizer		
R-404A R-507	RFGK03E-1.5-905	1	3/8 ODF	1/2 ODF	1/4 ODF	60	None
	RFGK03E-2.0-906	2					
	RFGK03E-3.0-907	3					
	RFGK03E-1.0-908	1					48 psig (@14°F)
	RFGK03E-1.5-909	1.5					
	RFGK03E-2.0-910	2					
RFGK03E-3.0-911	3	3/8 ODF	1/2 ODF	1/4 ODF	60	None	
RFGK08E-1.5-912	1						
RFGK08E-2.0-913	1.5						
RFGK08E-3.0-914	2					35 psig (@14°F)	
RFGK08E-1.0-915	3						
RFGK08E-1.5-916	1						
RFGK08E-2.0-917	1.5						
RFGK08E-3.0-918	2	---					
RFGK08E-1.5-919	3						
RFGK01E-1.0-901	1						
RFGK01E-1.5-902	1.5						
RFGK01E-2.0-903	2						
RFGK01E-3.0-904	3						

RFGK SERIES | Thermostatic Expansion Valve

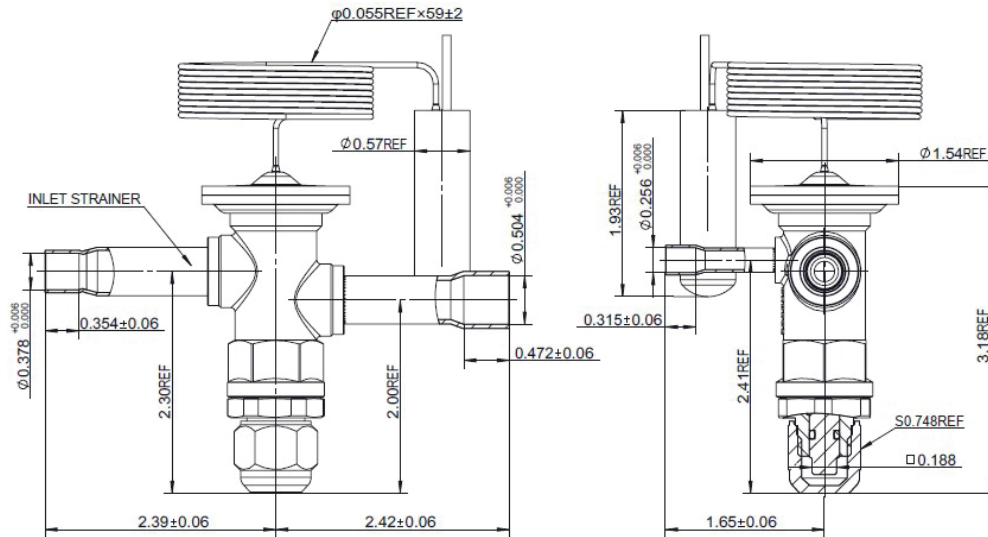
DIMENSIONS



Ref.	Model Name	Nominal Capacity (tons)	Connections, ODF Solder (inch)			Capillary Tube Length (inch)	MOP (Thermostatic Charge)
			Inlet	Outlet	Equalizer		
R-404A R-507	RFGK03E-1.0-430	1	1/4 ODF	1/2 ODF	1/4 ODF	60	---
	RFGK03E-1.0-431	1	3/8 ODF				
	RFGK03E-1.5-432	1.5					
	RFGK03E-2.0-433	2	1/2 ODF	5/8 ODF			
	RFGK03E-3.0-434	3					
	RFGK03E-3.0-435	3	3/8 ODF	1/2 ODF	1/4 ODF	60	48 psig (@14°F)
	RFGK03E-1.0-436	1					
	RFGK03E-1.5-437	1.5					
	RFGK03E-2.0-438	2					
	RFGK03E-3.0-439	3	1/2 ODF	5/8 ODF			
RFGK03E-3.0-440	3						
R-448A R-449A	RFGK08E-1.0-462	1	1/4 ODF	1/2 ODF	1/4 ODF	60	---
	RFGK08E-1.0-441	1	3/8 ODF				
	RFGK08E-1.5-442	1.5					
	RFGK08E-2.0-443	2	1/2 ODF	5/8 ODF			
	RFGK08E-3.0-444	3					
	RFGK08E-3.0-460	3	3/8 ODF	1/2 ODF	1/4 ODF	60	35 psig (@14°F)
	RFGK08E-1.0-455	1					
	RFGK08E-1.5-456	1.5					
	RFGK08E-2.0-457	2					
	RFGK08E-3.0-458	3	1/2 ODF	5/8 ODF			
RFGK08E-3.0-459	3						

RFGK SERIES | Thermostatic Expansion Valve

DIMENSIONS



Ref.	Model Name	Nominal Capacity (tons)	Connections, ODF Solder (inch)			Capillary Tube Length (inch)	MOP (Thermostatic Charge)
			Inlet	Outlet	Equalizer		
R-22	RFGK01E-1.0-401	1	1/4 ODF	1/2 ODF	1/4 ODF	60	None
	RFGK01E-1.0-402	1	3/8 ODF				
	RFGK01E-1.0-403	1.5					
	RFGK01E-1.0-404	2					
	RFGK01E-1.0-405	3					
	RFGK01E-1.0-406	3	1/2 ODF	5/8 ODF			
	RFGK01E-1.0-407	4	3/8 ODF	1/2 ODF			
	RFGK01E-1.0-408	4	1/2 ODF	5/8 ODF			
	RFGK01E-1.0-409	4		7/8 ODF			
	RFGK01E-1.0-410	5	3/8 ODF	1/2 ODF			
	RFGK01E-1.0-411	5	1/2 ODF	5/8 ODF			
	RFGK01E-1.0-412	5		7/8 ODF			
	RFGK01E-1.0-413	6		5/8 ODF			
	RFGK01E-1.0-414	6		7/8 ODF			
	RFGK01E-1.0-415	6	5/8 ODF				

Continued to next page...

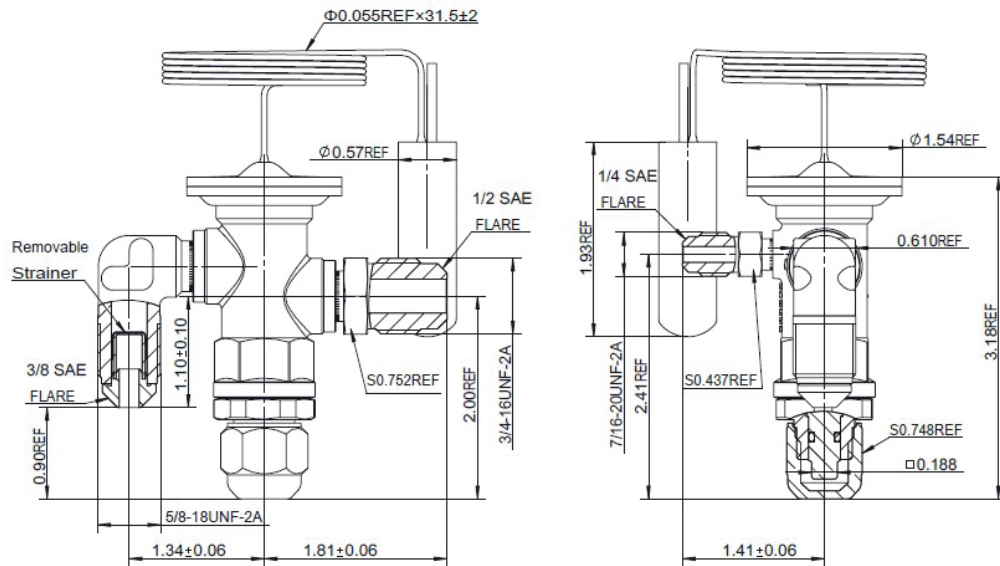
RFGK SERIES | *Thermostatic Expansion Valve*

DIMENSIONS

Ref.	Model Name	Nominal Capacity (tons)	Connections, ODF Solder (inch)			Capillary Tube Length (inch)	MOP (Thermostatic Charge)
			Inlet	Outlet	Equalizer		
R-22	RFGK01E-1.0-416	1.0	3/8 ODF	1/2 ODF	1/4 ODF	60	100 psig (@60°F)
	RFGK01E-1.0-417	1.5					
	RFGK01E-1.0-418	2.0					
	RFGK01E-1.0-419	3.0					
	RFGK01E-1.0-420	3.0	1/2 ODF	5/8 ODF			
	RFGK01E-1.0-421	4.0	3/8 ODF	1/2 ODF			
	RFGK01E-1.0-422	4.0	1/2 ODF	5/8 ODF			
	RFGK01E-1.0-423	4.0		7/8 ODF			
	RFGK01E-1.0-424	5.0	3/8 ODF	1/2 ODF			
	RFGK01E-1.0-425	5.0	1/2 ODF	5/8 ODF			
	RFGK01E-1.0-426	5.0		7/8 ODF			
	RFGK01E-1.0-427	6.0		5/8 ODF			
	RFGK01E-1.0-428	6.0		7/8 ODF			
	RFGK01E-1.0-429	6.0	5/8 ODF	7/8 ODF			
R-410A	RFGK05E-1.0-445	1.0	3/8 ODF	1/2 ODF	1/4 ODF	60	167 psig (@60°F)
	RFGK05E-1.0-446	1.5					
	RFGK05E-1.0-447	2.0					
	RFGK05E-1.0-448	3.0					
	RFGK05E-1.0-449	4.0					
	RFGK05E-1.0-450	5.0	1/2 ODF	5/8 ODF			
	RFGK05E-1.0-451	6.0					
	RFGK05E-1.0-452	7.0					
	RFGK05E-1.0-453	8.0	5/8 ODF	7/8 ODF			
	RFGK05E-1.0-454	9.0					

RFGK SERIES | *Thermostatic Expansion Valve*

DIMENSIONS



Ref.	Model Name	Nominal Capacity (tons)	Connections, SAE Flare (inch)			Capillary Tube Length (inch)	MOP (Thermostatic Charge)
			Inlet	Outlet	Equalizer		
R-404A R-507	RFGK03E-1.0-716	1	3/8			60	None
	RFGK03E-1.5-717	1.5					
	RFGK03E-2.0-718	2					
	RFGK03E-3.0-719	3					
	RFGK03E-1.0-720	1					48 psig (@14°F)
	RFGK03E-1.5-721	1.5					
	RFGK03E-2.0-722	2					
	RFGK08E-3.0-723	3					
R-448A R-449A	RFGK08E-1.0-724	1	1/2	1/4	60	None	
	RFGK08E-1.5-725	1.5					
	RFGK08E-2.0-726	2					
	RFGK08E-3.0-727	3					
	RFGK08E-1.0-728	1				35 psig (@14°F)	
	RFGK08E-1.5-729	1.5					
	RFGK08E-2.0-730	2					
	RFGK08E-3.0-731	3					
R-22	RFGK01E-1.0-711	1	1/4	3/8		None	
	RFGK01E-1.0-712	1					
	RFGK01E-1.5-713	1.5					
	RFGK01E-2.0-714	2					
	RFGK01E-3.0-715	3					

RFGK SERIES | *Thermostatic Expansion Valve*

REFRIGERANT CAPACITY TABLES

Ref.	Model Number	Nominal Capacity (tons)
R-404A R-507	RFGK03E-1.0	1.06
	RFGK03E-1.5	1.60
	RFGK03E-2.0	2.10
	RFGK03E-3.0	2.90
R-448A R-449A	RFGK08E-1.0	1.33
	RFGK08E-1.5	2.00
	RFGK08E-2.0	2.63
	RFGK08E-3.0	3.63
R-22	RFGK01E-1.0	1.00
	RFGK01E-1.5	1.67
	RFGK01E-2.0	2.09
	RFGK01E-3.0	3.35
	RFGK01E-4.0	4.16
	RFGK01E-5.0	5.04
	RFGK01E-6.0	5.80
R-410A	RFGK05E-1.0	1.19
	RFGK05E-1.5	1.47
	RFGK05E-2.0	1.98
	RFGK05E-3.0	2.96
	RFGK05E-4.0	3.97
	RFGK05E-5.0	4.94
	RFGK05E-6.0	5.99
	RFGK05E-7.0	6.88
	RFGK05E-8.0	8.13
	RFGK05E-9.0	8.86